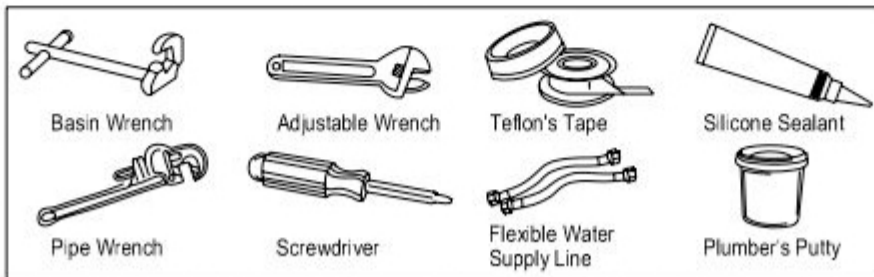


Gold & White Bathroom Sink Faucet Single Hole - Single Handle

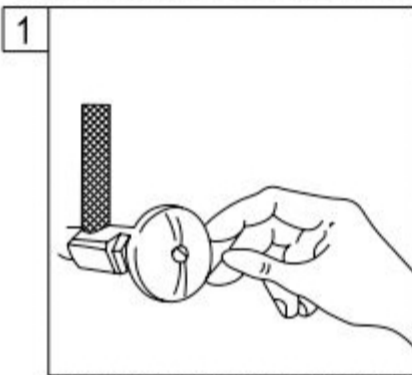


INSTALLATION INSTRUCTIONS

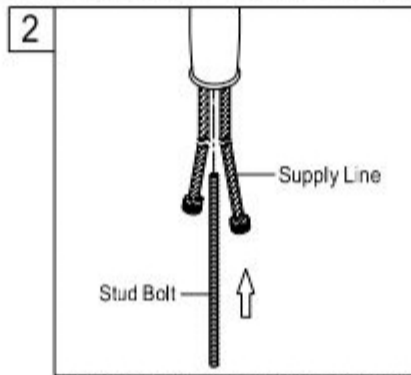


NOTE:

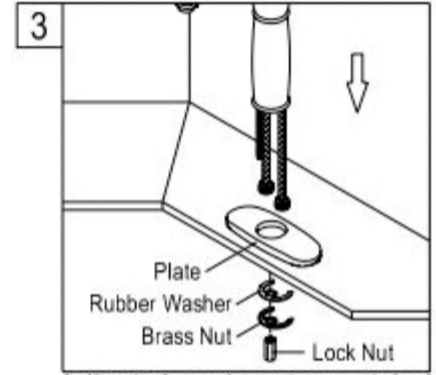
1. USE TEFLON TAPE ON ALL THREADED CONNECTIONS
2. FLUSH LINE BEFORE FAUCET INSTALLATION TO REMOVE DEBRIS IN LINES.
3. NO PLUMBER S PUTTY ON ANY FINISH TO CORRODE FINISH OF FAUCET SURFACE.



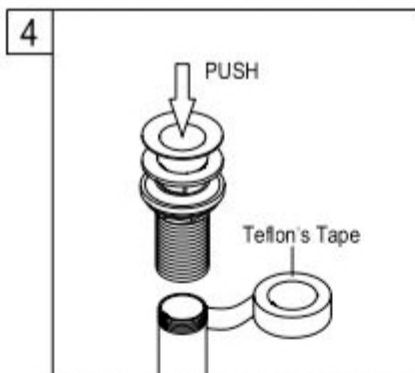
1. Shut off hot and cold water supply under sink. Plug sink drain with cloth to avoid losing small parts. Remove old faucet.



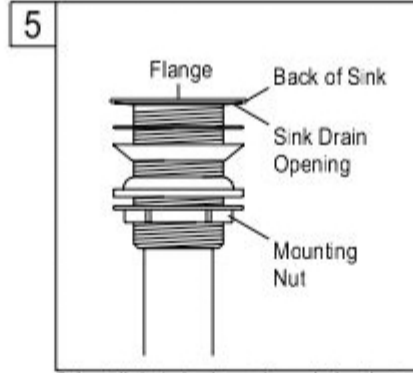
2. Inset the stud bolt into the faucet body. Screw the locknut and tighten it.



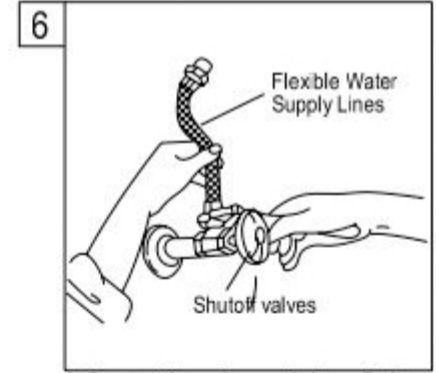
3. Align the faucet plate to the center hole of the basin, make both supply lines and brass stud to go through the base plate. Hold the faucet upright, secure rubber washer and brass nut from the bottom, and tight up lock nuts to secure faucet tightly on the basin.



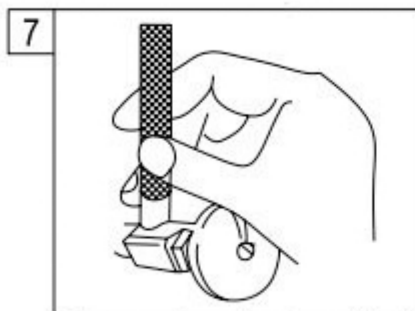
4. Thread mounting nut and bottom gasket onto drain body. Wrap top threaded end of the drain body with plumbers' tape.



5. Install drain body up through the drain opening and reattach the flange onto drain body, holding the drain body in position with pivot rod opening facing the back of sink. Tighten the mounting nut by hand.



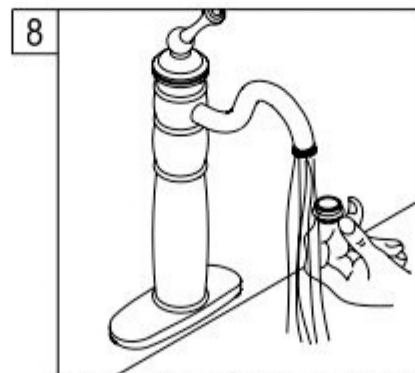
6. Connect the water supply lines. Before connecting the supply lines, apply pipe joint compound to the threads on the inlet shanks and shut off valves.



7. Turn on water supply valves and check for leaks, especially at hook-ups to supply lines. And need to apply on all installation sheet on Supply Line Connections.

Secure and tight up both inlet nuts and outlet nuts by wrench, and make sure both properly fastened not to cause leakage.

LEGAL DISCLAIMER : Do not connect supply lines to any vibration devise(refrigerator, washing machine, etc)or any un-secured plumbing fixture to cause breakage, leakage and damage.



8. Remove the aerator before turning on your new faucet for the first time. This is to prevent any deposits from clogging your aerator. Allow both hot and cold water to run for one minute. Replace aerator.

This General diagram and installation instructions are not intended for any specific model, but is presented as a general guideline for installations!