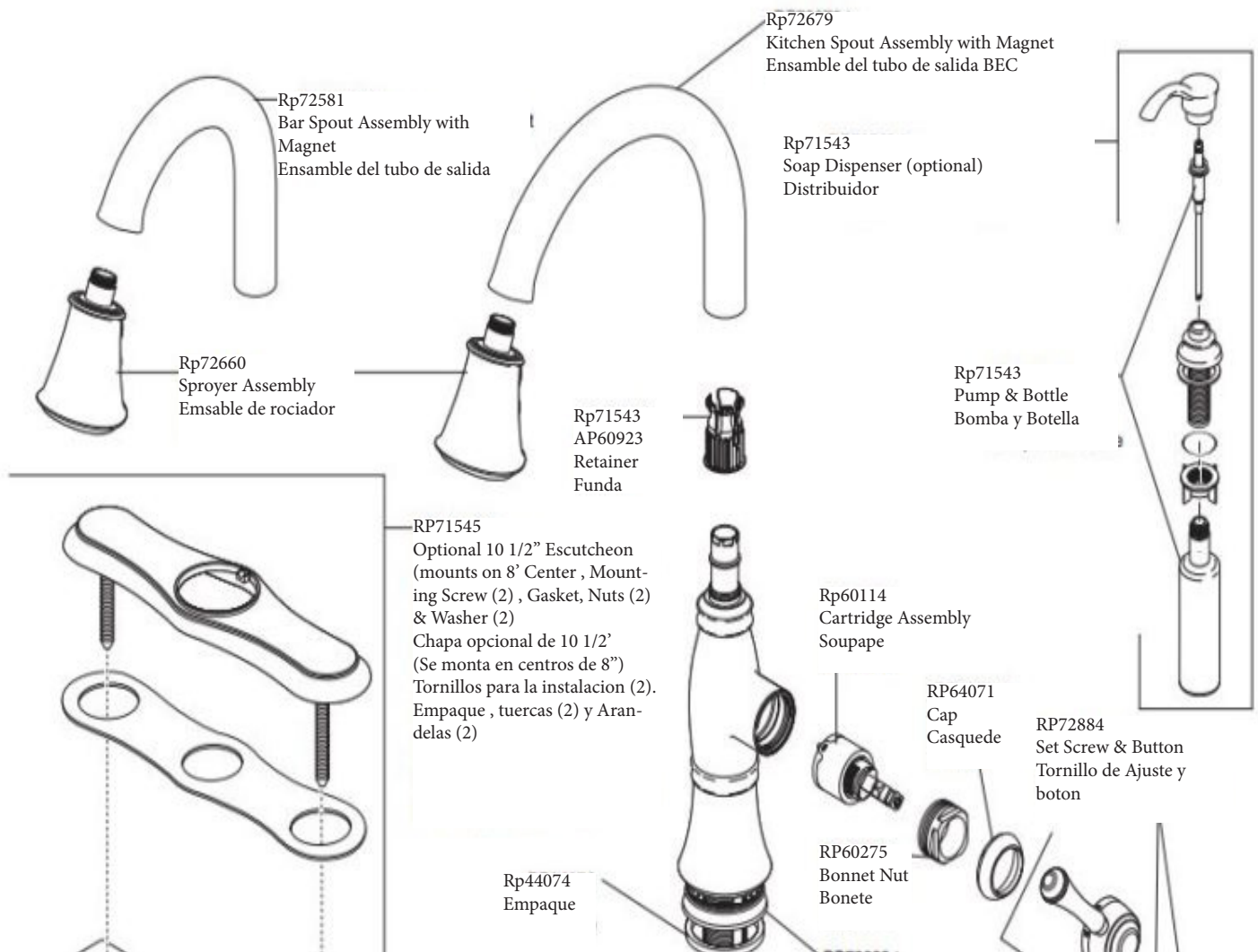


Brushed Nickel Single Handle Kitchen Sink Faucet with Pull Down Sprayer



Nuts (2) & Washers (2)
Tuercas (2) y Arandelas (2)

Empaque Joint
RP50962
Cut to fit plastic sleeve
Casquillos cortados a la medida

Rp72653
Base Ring
Aro de base

Rp72685
Handle set screw bottom
Manija Tornillo de presion
y boton

RP37490
Optional thin Deck Aid
Sosten opcional para bordes delgados

RP49149
Stool Weight Assently
Emsamble de la pesa de acero

RP 13938
O-Rings
Anillos "O"

Other useful accessories that may be separately.
Otros accesorios utiles que se pueden comprar por separado.

Rp 63263
Adapters
3/8 " 24 UNEF to 1/2 20 UN &
3/8" 24 UNEF to 1/2" - 14 NPSM

Adaptadores
3/8 " 24 UNEF to 1/2 20 UN &
3/8" 24 UNEF to 1/2" - 14 NPSM

RP63254
Adapters (10) (3/8") -24 UNEF a 1/2-20 UN
RP63254
Adaptadores (10) (3/8") -24 UNEF a 1/2-20 UN

RP63265
Adapters (10) (3/8") -24 UNEF a 1/2-14 NPSM
Adapters (10) (3/8") -24 UNEF a 1/2-14 NPSM

RP 73954
O-Ring & Clip
Anillo y Pasarela

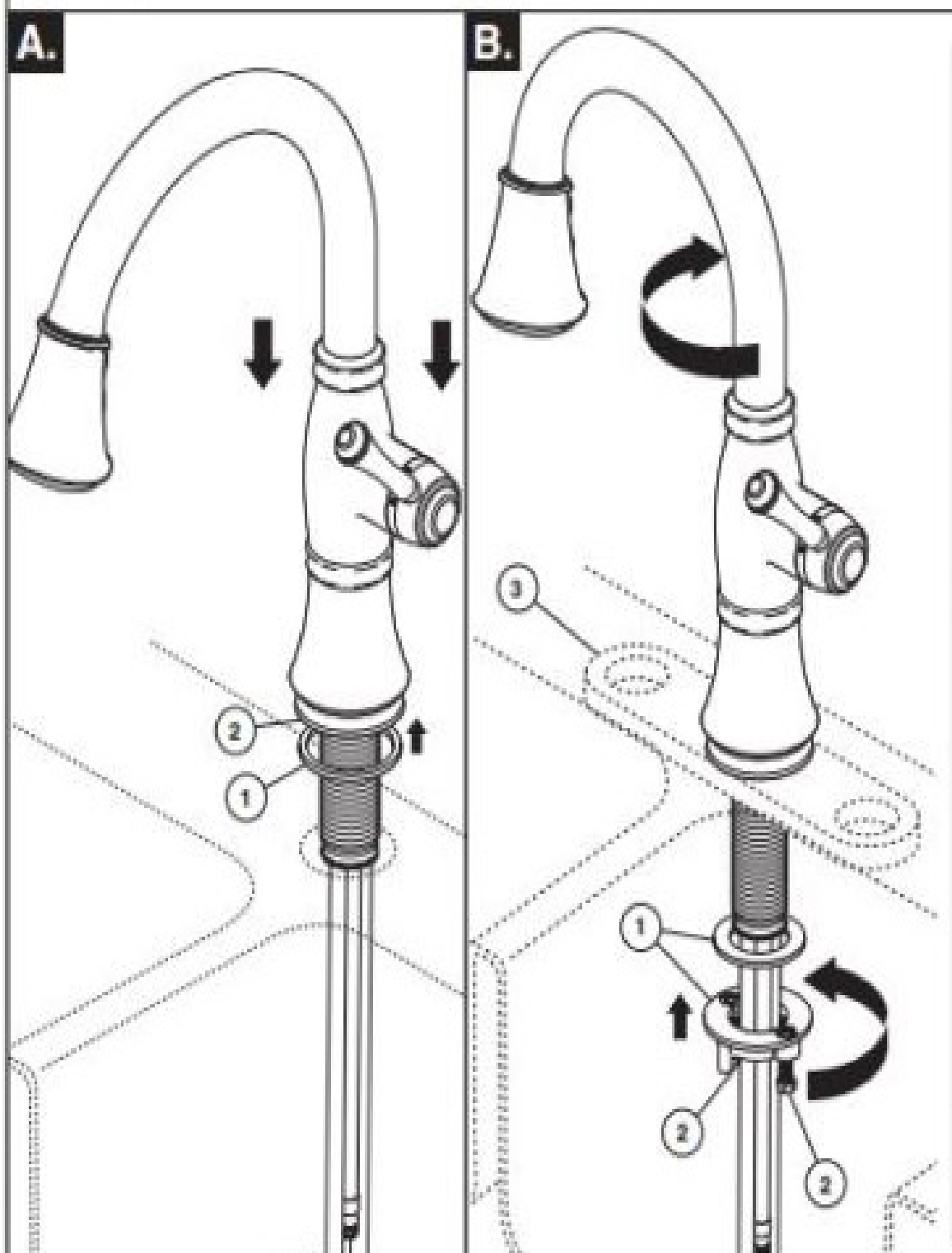
RP60911
Clip
Presilla
Agrafe

RP62067
Hose Assembly & Clip
Ensamble de Manguera

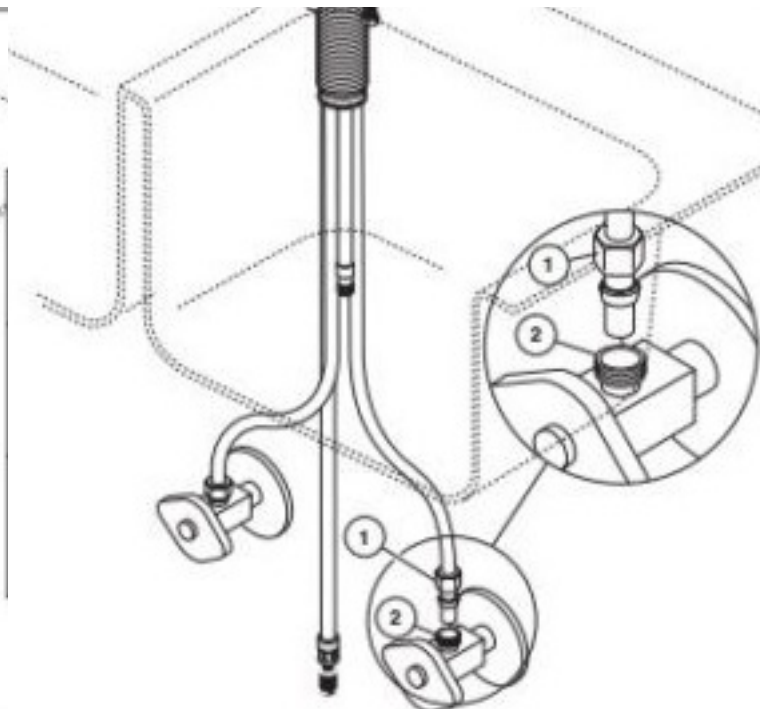
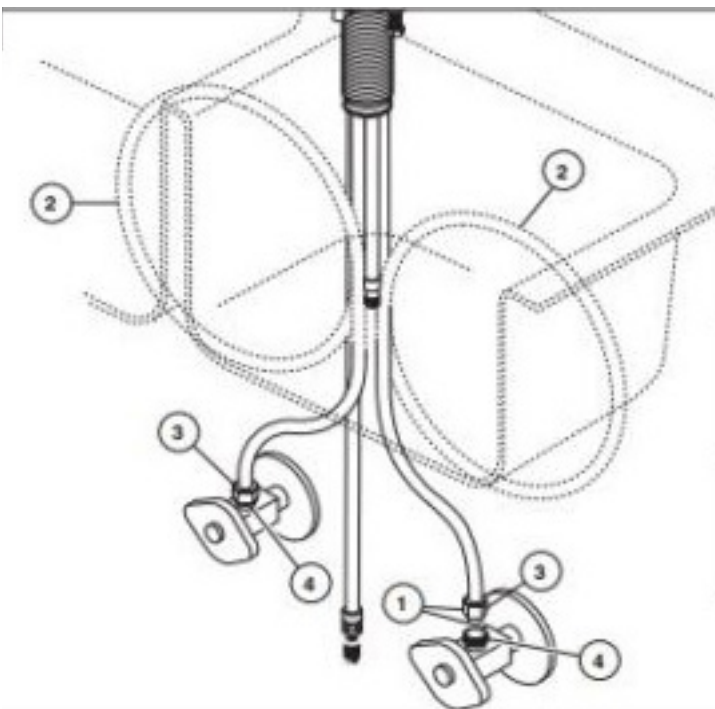
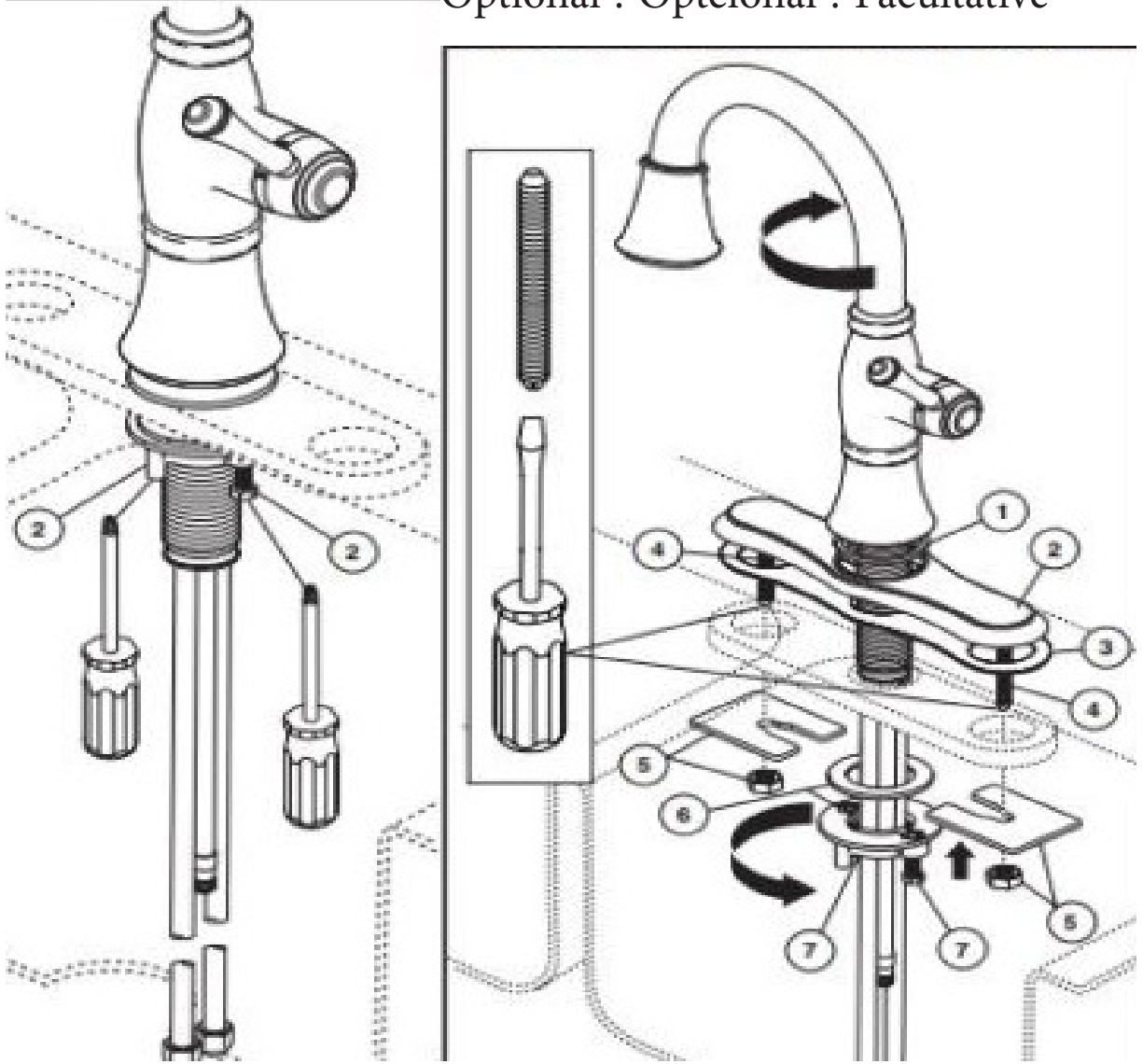
RP51243
Inlet Gasket
Empaque para tubo de entrada

RP48835
Mounting Nut Assembly
Tuerca para la Instalacion

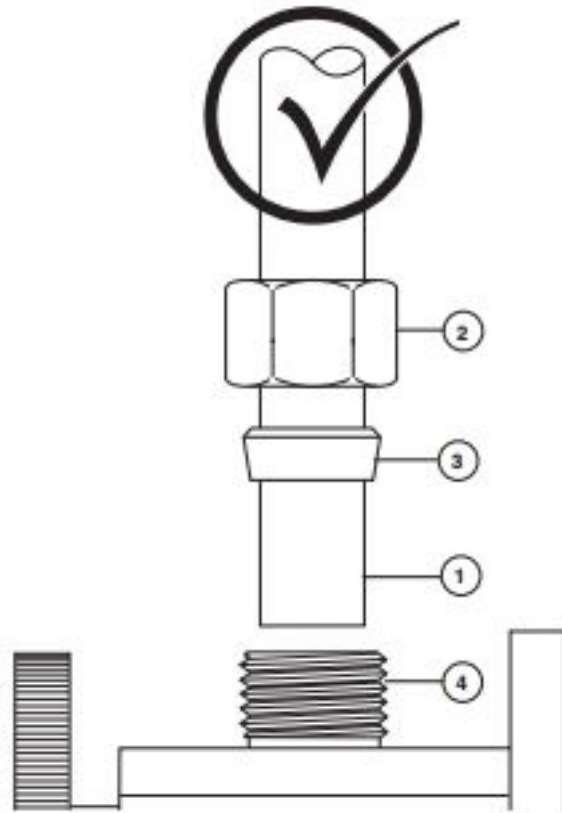
-Specify Finish
-Especifique acabado



Optional ? Optcional ? Facultative

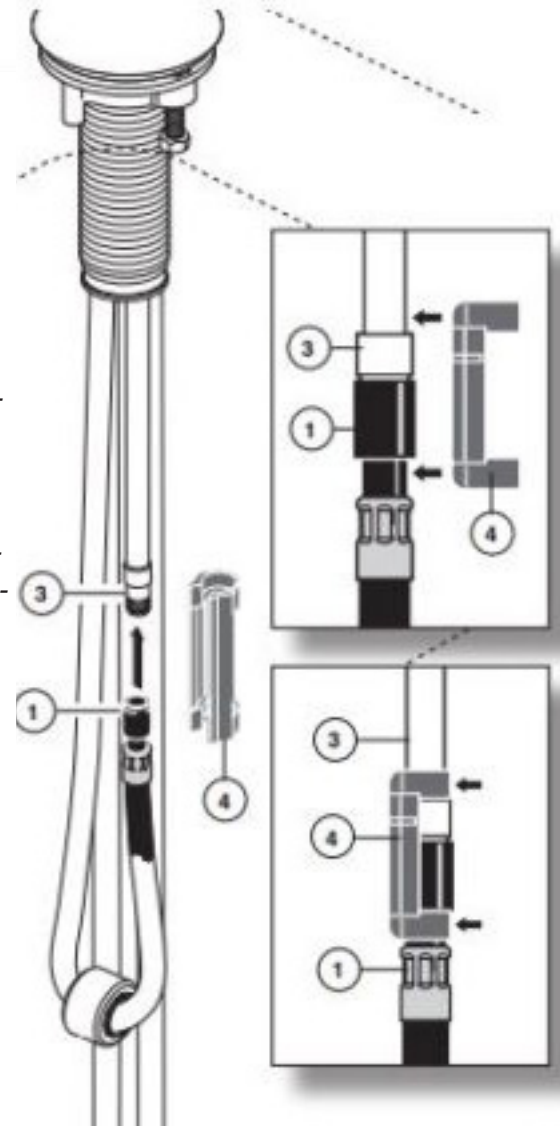


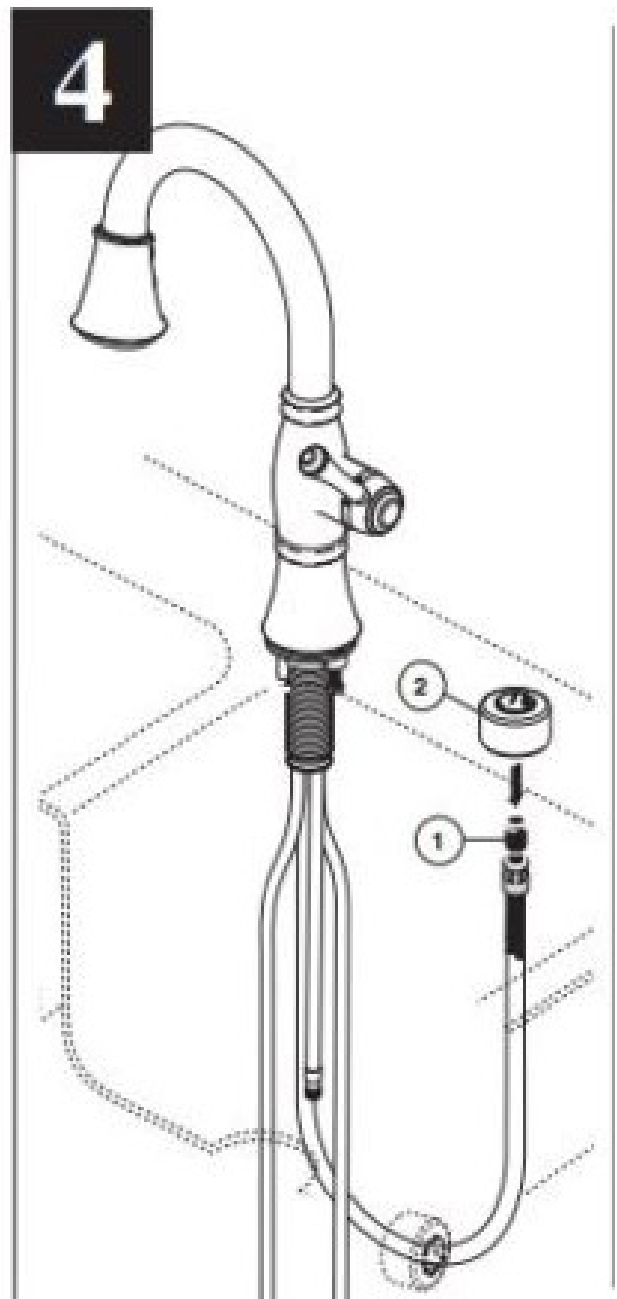
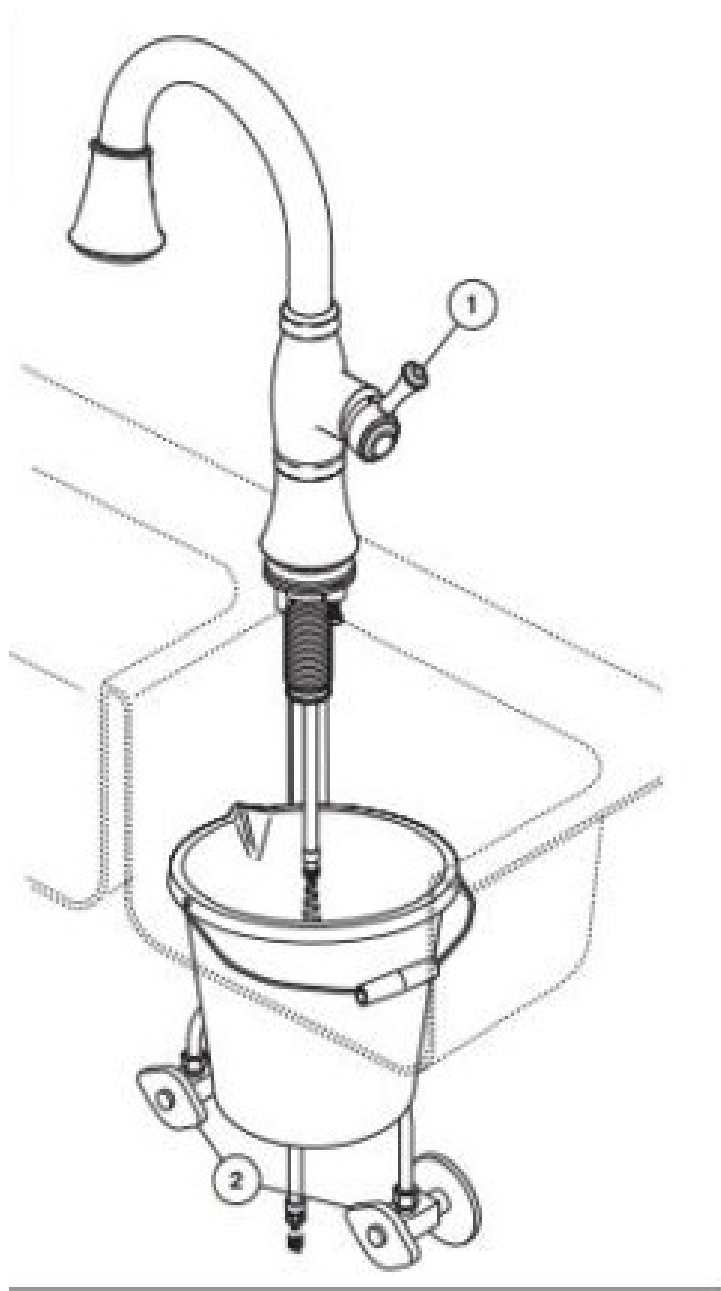
Correct method
Método Correcto
Bonne méthode



Custom Fit Connections - plastic Sleeve Installation Instructions

1. Identify desired length of tube (1) Leave 1" -2 " of extra length to allow for easier installation and cut tube. Ensure cut is straight and burr free.
2. Slide nut (2) and Plastic Sleeve (3) onto cut tube. Ensure sleeve is oriented as shown.
3. Insert tube into outlet fitting (4). Tube should touch bottom of hole inside fitting.
4. Slide plastic sleeve down tube until it engages top of fitting. Notice: Failure to use plastic sleeve in the correct orientation will result in disconnection and possible water damage
5. Slide nut over plastic sleeve. With wrench, tighten nut 2 turns past finger tight.





Flush Supply Line

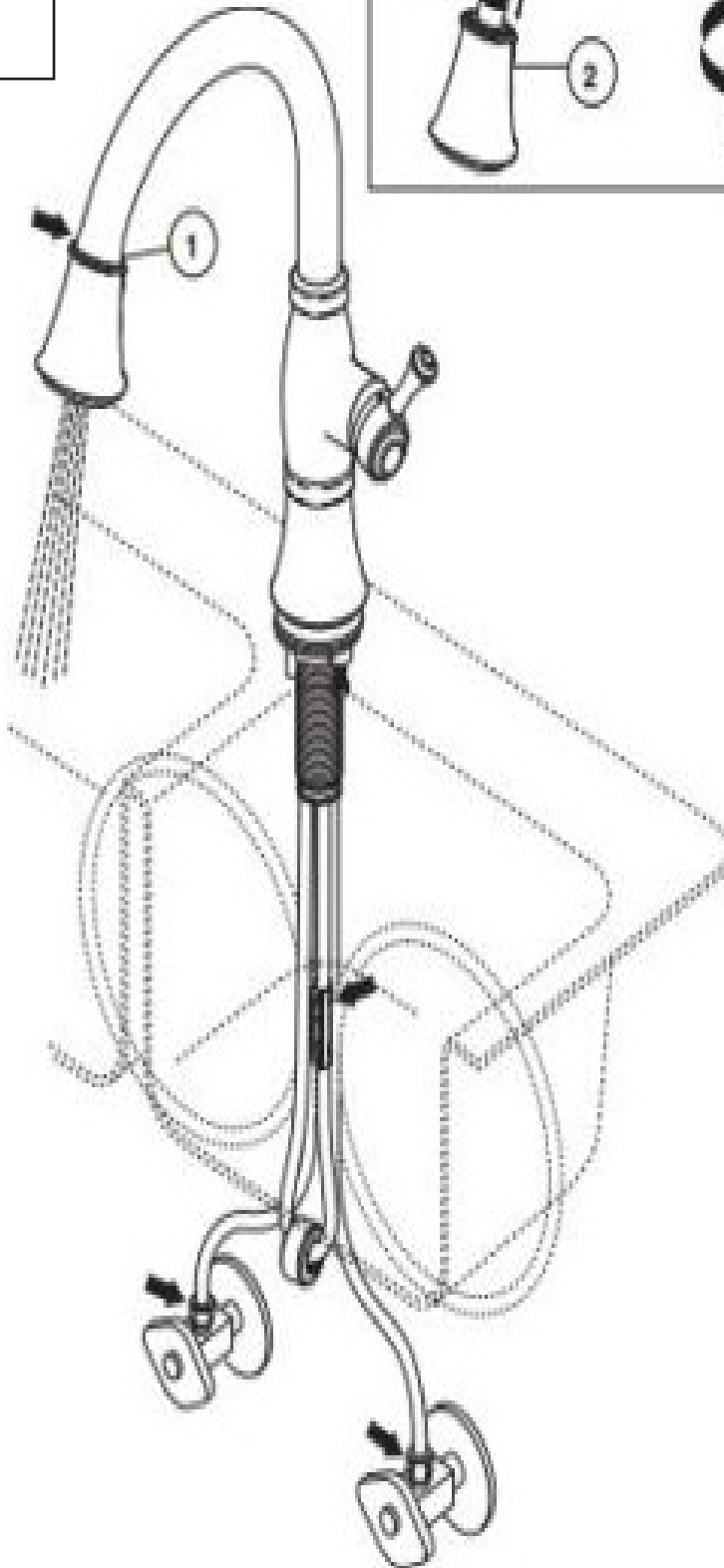
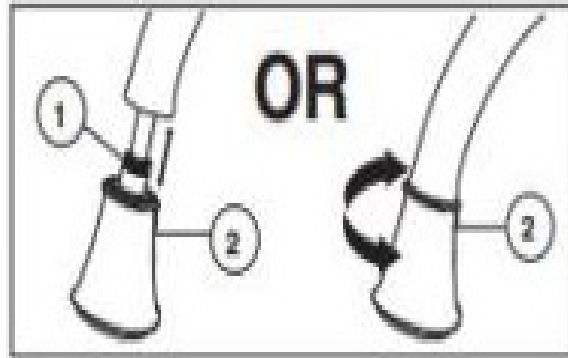
Because your sprayer has been factory assembled to the hose, we do not recommend removing to flush the lines. Instead, if possible, we recommend placing a bucket the outlet fitting and of two options.

1. With tyhe value in mix open position (1), Slowly open and close the supply stops (2).
2. With the supply stops open (2), SLOWly open and close the handle in the mix position (1).

This will prevent debris from lodged in the hose and sprayer.

* You can also remove sprayer to flush, after step 4, if no bucket is available.

5





Maintenance

If faucet exhibits very low flow- Unscrew hose from spray head and clean debris from screen (1) (the screen is located just inside the spray).

IMPORTANT:

Reinstal screen to the spray head (failure to reinstall the screen could damage internal parts.

If faucet leaks from under handle or from spout outlet- insert a small screwdriver into slot (2) in button (3) and remove. Loosen set screw (4) inside of handle. Remove handle. Remove cap (5) by rotating counterclockwise.

Bonnet may be stiff due to O-ring but should rotate by hand.

This general Diagram and installation are not intended for any specific model, but is presented as a general guideline for installations!.