



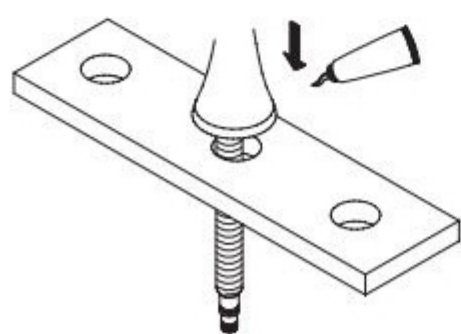
INSTALLATION INSTRUCTIONS

**Tools You Will Need
Herramientas Necesarias
Outils dont vous aurez besoin**

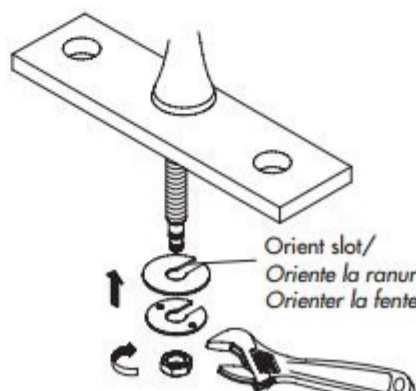


Faucet Installation Procedures / Instalación del Grifo / Procédures d'installation du robinet

Shut off main water supply before installation.

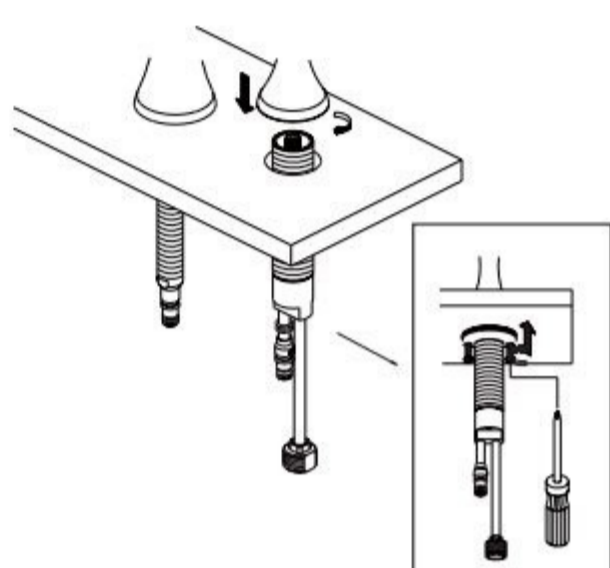


1. Apply silicone sealant around bottom of spout trim ring. Insert spout into 1-1/2" diameter mounting hole in deck from above.

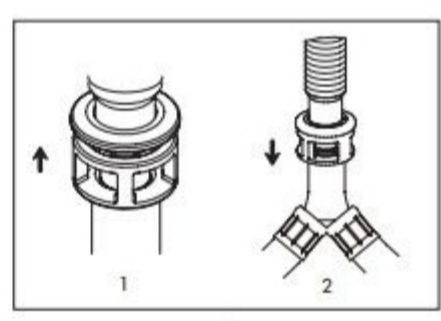
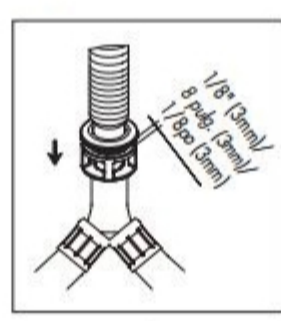
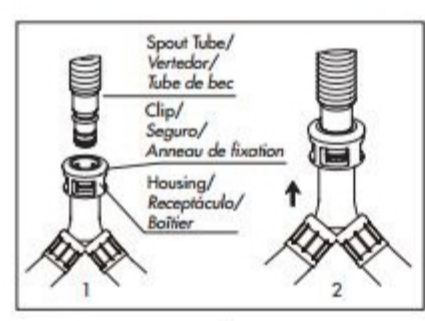
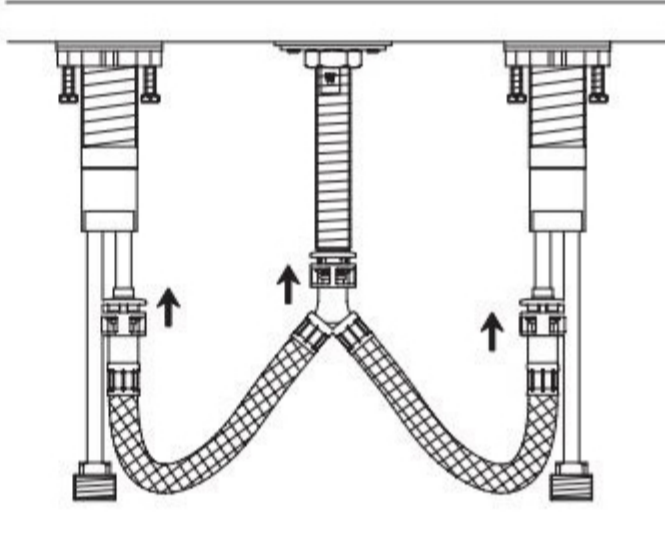


2. Install mounting hardware onto spout shank in order shown. Orient spout to center of sink, then tighten locknut. Important: Orient slot in mounting washer to rear of spout to allow lift rod for drain to pass through.

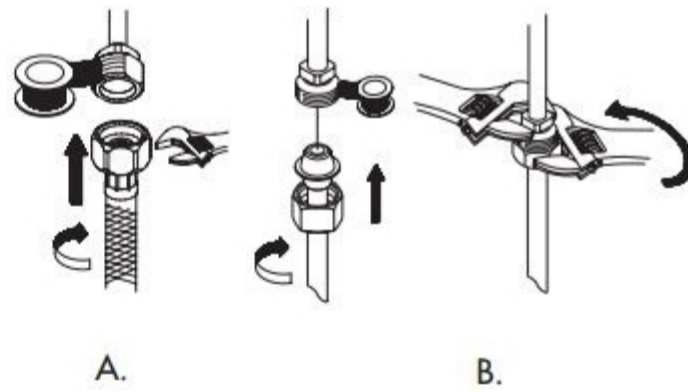
3. A. Adjust under-deck mounting hardware to allow the top of the valve body to extend above the deck by at least 1/2".
B. Screw on the escutcheon/handle assembly and hand tighten.
C. From below the deck, lightly hand tighten the mounting hardware to the underside of the deck. After orienting the handle correctly, use the screws on the mounting nut to finally tighten the valve to the deck.



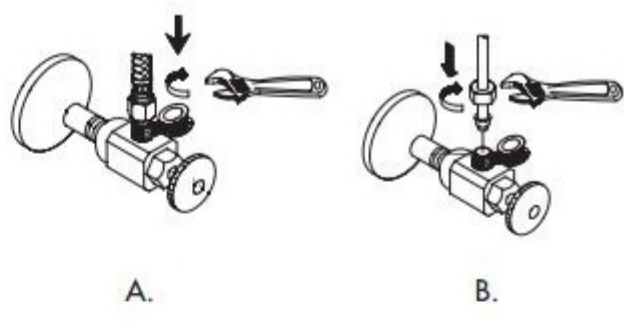
4. Install the quick connect hoses between the spout and the valves. Push onto the fitting to lock, pull down to check for secure connection.
NOTE: To install the quick fittings, follow these simple steps:
A. Push quick connect housing firmly upwards onto spout tube until a click is heard.
B. Pull down on quick connect housing. If you cannot pull off, the quick connect is secure.
To disconnect (C): Push up housing tight to clip. While holding assembly together, push down complete assembly to release from spout tube.



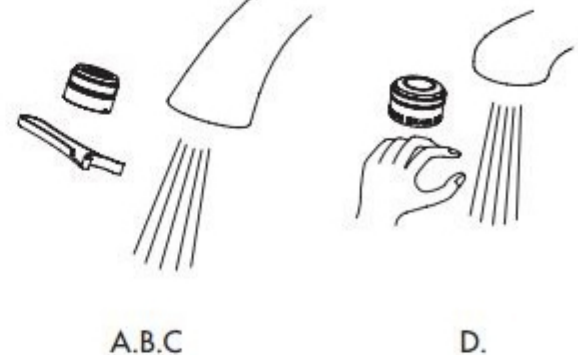
5. Connect valves to hot and cold water supply. (Supply hoses are not included). Apply pipe sealant tape to thread of the valve.
A. Attach water supply tubes to the faucet. To avoid twisting the copper supply tube, use two wrenches. Use one to hold the fitting stable and the other to tighten the nut to fitting.



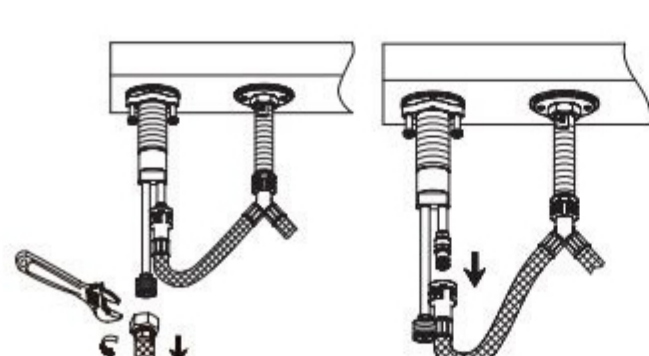
6. The supply hoses/tubes (commodity item can be found in hardware stores) fit 3/8" supply valves. Apply pipe sealant tape to threads on valve before attaching the supply hoses/tubes.
A. Tighten the hoses onto water supply.
B. Tighten the tubes to the water supply with nut.



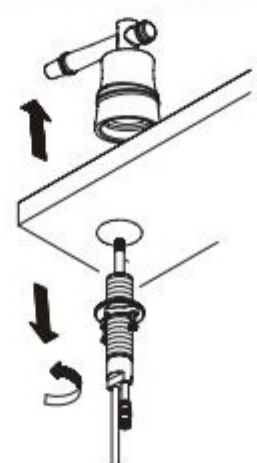
7. A. Remove the aerator assembly from the spout using the special wrench provided. Set it aside carefully for re-installation later.
B. Turn on the hot and cold water valves under the sink.
C. Flush out the faucet by running hot and cold water through the spout.
D. Turn off faucet on the sink; carefully re-install the aerator taking care not to cross thread.
E. Test for satisfactory operation.



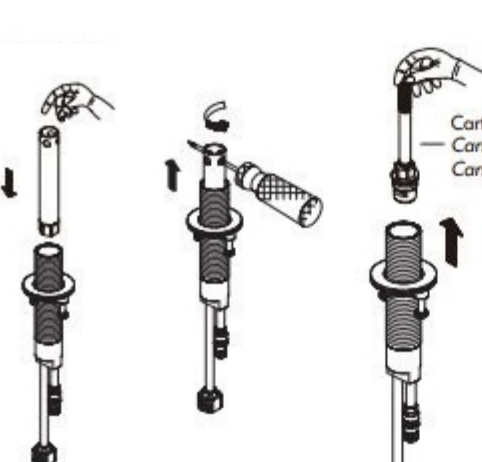
Ceramic Cartridge Replacement / Reemplazo del cartucho cerámico / Remplacement de la cartouche de céramique



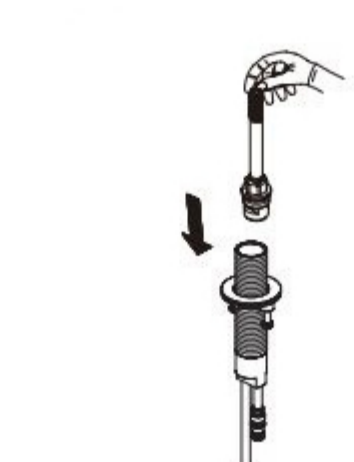
1. Remove water supply tube and supply hose from valve body.



2. Remove water supply tube and supply hose from valve body.



3. Remove the cartridge from valve body using sleeve wrench.



4. Install new cartridge into valve body by following step 1,2 and 3 reversely.