

New Design Oil Rubbed Bronze Rain Shower Set + Shower Faucet



INSTALLATION INSTRUCTIONS

Before installing, read entire installation guide. Observe all local building and safety codes. For the following installation instructions it is assumed that the water supply lines have been installed in the desired location behind the finished wall and are accessible for shower installation. Unpack and inspect for any shipping damages. If you find any damages, do not install. Contact Customer Service, If you need assistance while installing your shower system, call our Customer Service number

TOOLS AND MATERIALS:

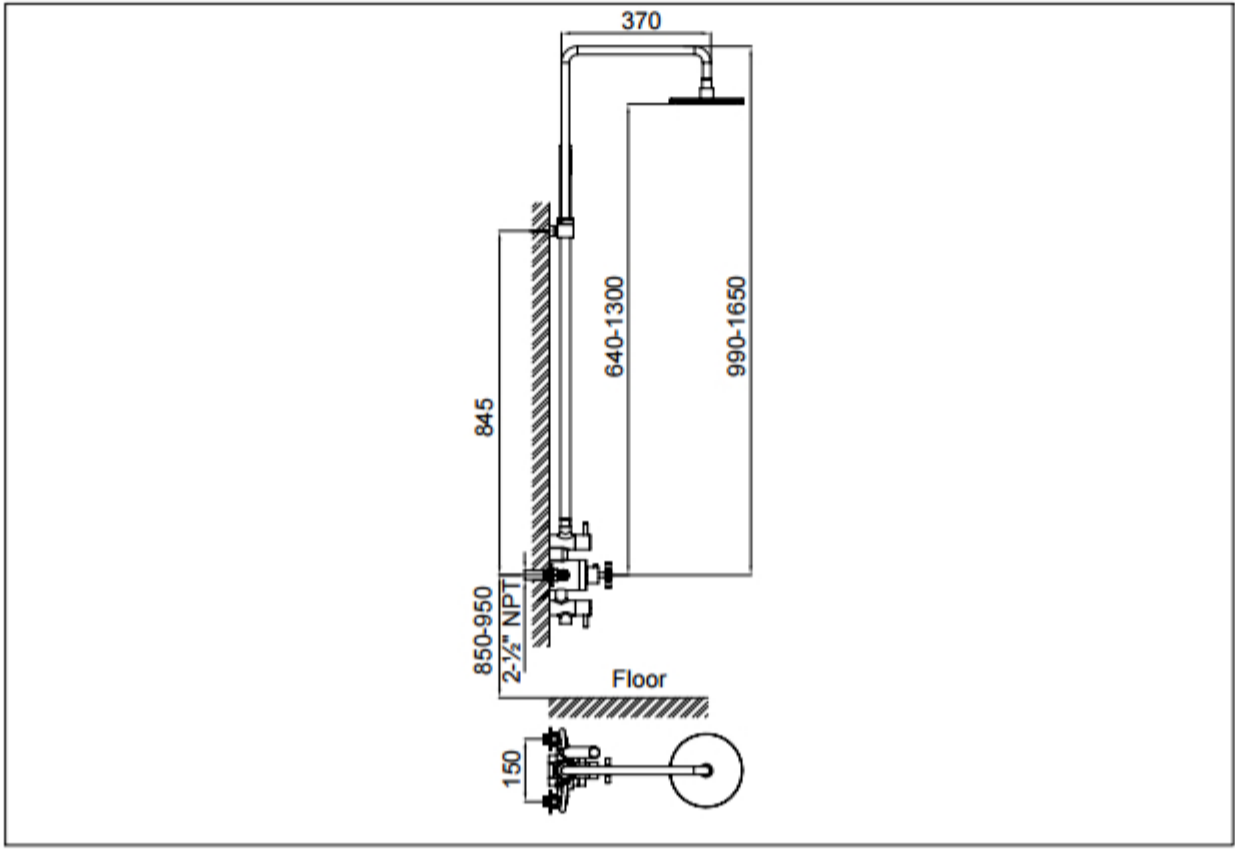
- Smooth Jaw Wrench
- Adjustable Wrench
- Silicone Thread Sealant
- Drill
- Tape Measure
- Level

INSTALLATION

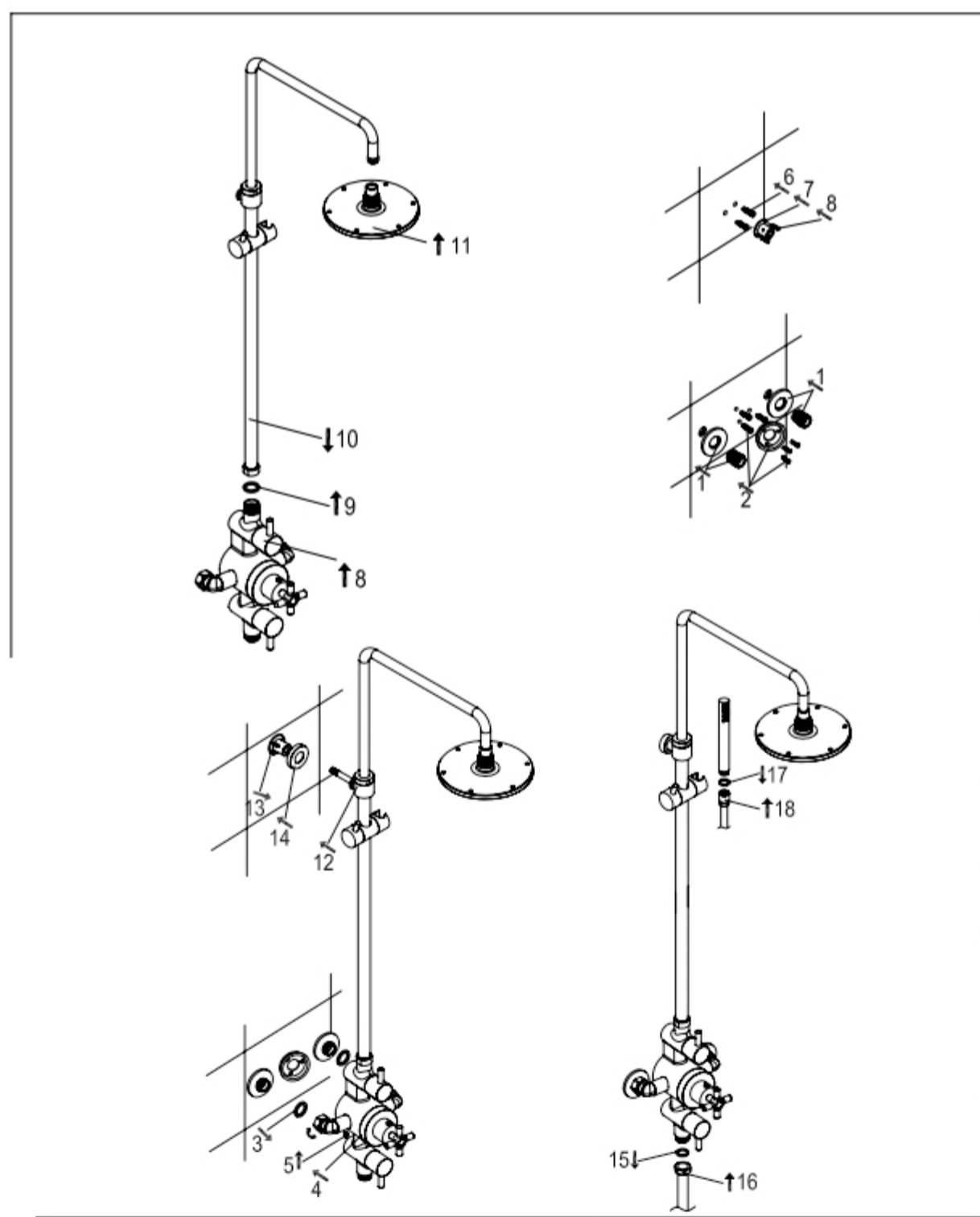
1. Attach the upper wall support to the shower wall using a drill and the mounting hardware provided. Use a level to ensure that the shower riser is perfectly straight.
2. Place thread sealant on the 1/2" pipe threads in the shower wall and thread on the mounting nuts. Allow sealant to cure for 24 hours before use.
3. Attach the hot and cold valve bodies and decorative escutcheons (if included) directly to the pipe threads. Tighten with an adjustable wrench to secure.
4. To install a hand-held shower, mount the cradle at a suitable height for the user with the hardware provided. Attach the hose to the faucet with any rubber washers or sealing gaskets included. If your system does not feature a hand-held shower move on to the next step.
5. Attach the shower head to the top of the riser and tighten with a smooth jaw wrench. Do not tighten more than 1/4 turn beyond hand tight.
6. Turn on the water supply and open the faucet valves. Check for any leaks and verify that the hot and cold supplies are working correctly. Let the water flow through the riser pipe and shower hose for approximately 30 seconds to clear out debris and dirt.

Note: If leakage occurs, tighten connections with your adjustable wrench as necessary. If problems persist, contact Customer Service

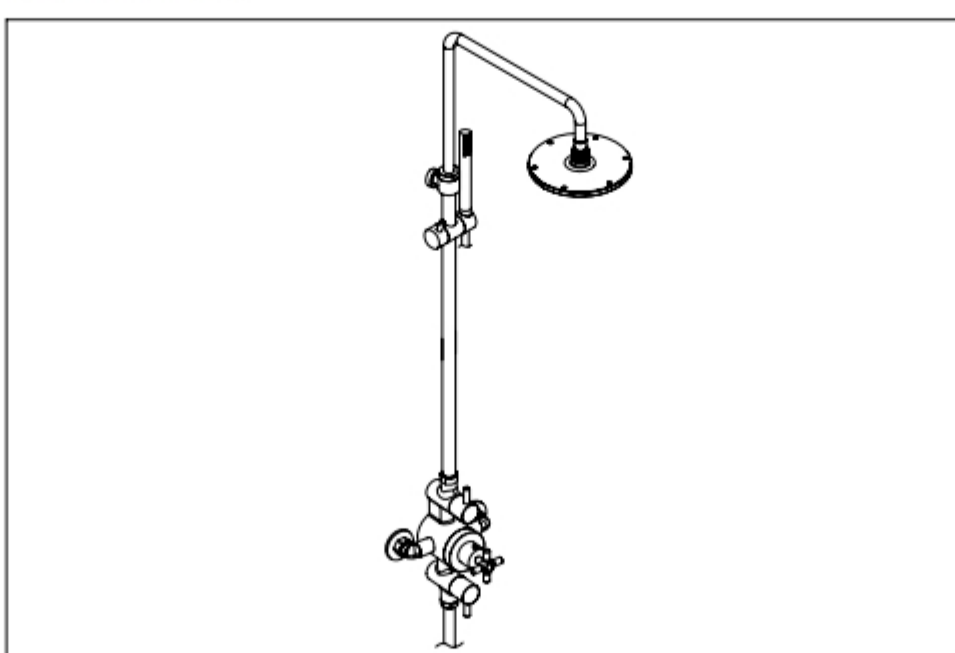
TECHNICAL DRAWING



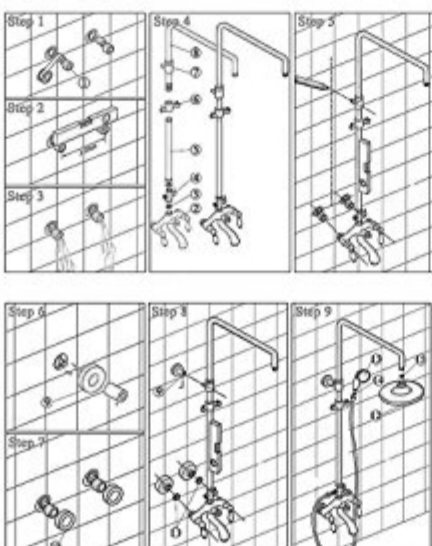
INSTALLATION



ALTERNATE VIEW




Installation Instructions



- Step 1: Connect the brass adapter provided to water supply line.
 Step 2: Adjust lever and distance to fit faucet body.
 Step 3: Turn water valve on for a while to let the dust and impurities out.
 Step 4: Assemble the shower set.
 Step 5: Place pre-assembled shower in the wall to find proper position and then mark the mounting hole need to be drilled.
 Step 6: Drill a hole for the upper part shower bar bracket, screw it.
 Step 7: Place the decoration cover to the brass adapters.
 Step 8: Install the pre-assembled shower to the connections.
 Step 9: Connect shower hose, handheld shower and rain shower head.

- | | | | |
|-----------------|----------------------|---------------------|-------------------|
| ① Brass Adapter | ⑤ Shower bar | ⑨ Mounting base | ⑬ Handheld shower |
| ② Faucet body | ⑥ Hand shower holder | ⑩ Decorations cover | ⑭ Washers |
| ③ Washers | ⑦ Shower bar bracket | ⑪ Washers | ⑮ Washers |
| ④ Diverter | ⑧ Shower bar | ⑫ Rain shower head | |

 This part may be different, but the installation is the same.

This General diagram and installation instructions are not intended for any specific model, but is presented as a general guideline for Installations!