

# Gelasia Stainless Steel Jetted Body Massage Shower Head Set with Handheld Shower Head



## **Product info:**

Type: Bath & Shower Faucets  
Cold/Hot Water Control Type: Auto-Thermostat Control  
Feature:Thermostatic Faucets  
Number of Handles: Triple Handle  
Bath & Shower Faucet Type: Exposed Shower Faucets  
Valve Core Material: Ceramic  
Exposed Shower Faucet Feature: Without Slide Bar  
Surface Treatment: Polished  
Surface Finishing: Chrome  
Style: Contemporary  
Installation Type: Wall Mounted  
Type: Bath & Shower Faucets

## **Description:**

Function: Shower set  
Feature: Ceiling Mounted, Thermostatic,LED  
Style: Contemporary  
Finish: Chrome  
Shower Head: Rainfall, Handheld  
Number of Handles: Three Handles  
Valve Type: Ceramic Valve  
Faucet Body Material: Brass  
Faucet Spout Material: Brass  
Faucet Handle Material: Zinc Alloy  
Shower head : 8", 10", 12", 16", 20", 24"  
Handheld Shower Material :A grade ABS  
Shower head Material:A grade ABS  
Water powered, no need battery, color change with water temperature  
Flow Rate: 1.3 to 5.3 GPM

Work pressure 0.05Mpa-1Mpa ,ideal 0.1-0.5Mpa, installation reducing valve while exceeding ideal pressure. High flow means it can work in low pressure (usually the city pressure is 0.15 +Mpa) and work great in high pressure (15 litre /min at 0.3+Mpa) Pre-set maximum temperature 85C, ideal water supply temperature 60-70C.

## INSTALLATION GUIDE

Before installing, read entire installation guide. Observe all local building and safety codes.

We recommend consulting a professional if you are unfamiliar with installing bathroom fixtures and plumbing.

## THERMOSTATIC VALVE INFORMATION

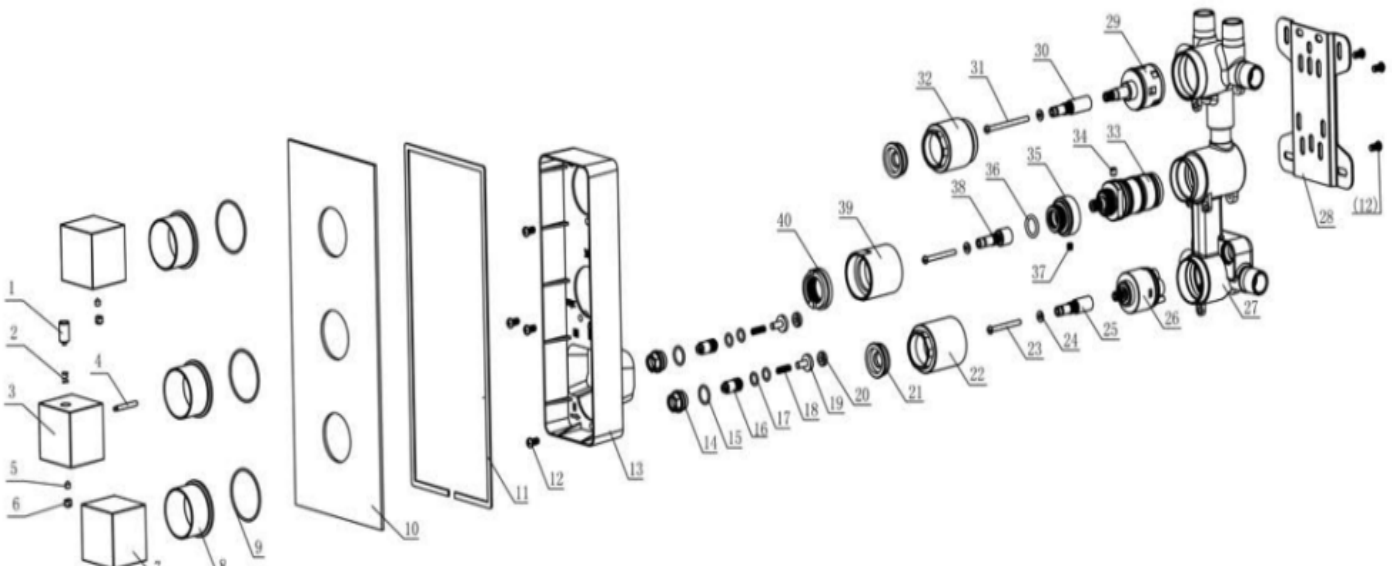
The thermostatic shower system features three valves that allow you to keep water temperatures consistent each time the shower is used and create a customised shower system.

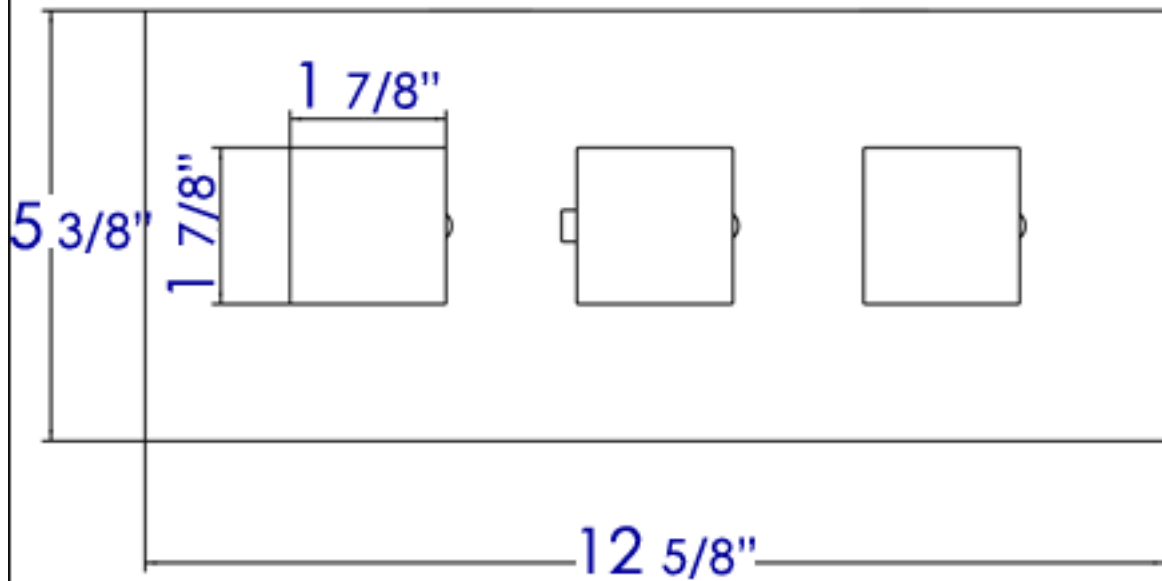
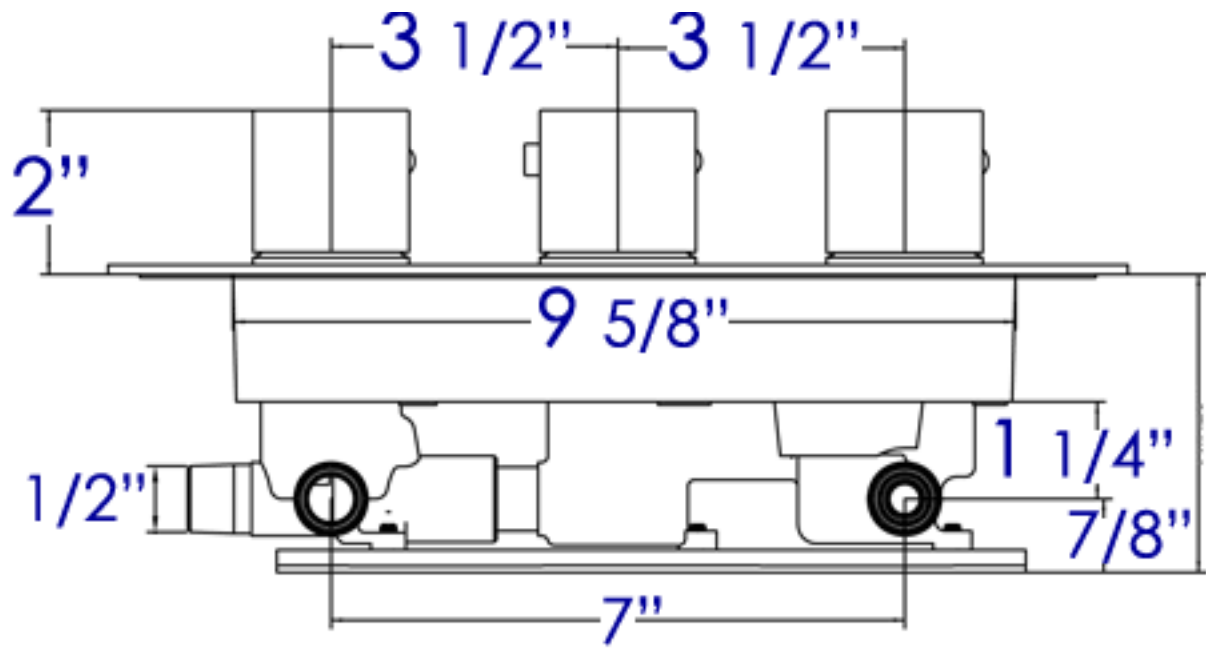
Valve A operates as a standard three-way shower diverter. You can select a combination of shower heads, body sprays and hand showers. This valve is able to connect to up to three different outputs. If only two outputs are desired, close the third output with a threaded brass plug (provided). The three-way diverter valve allows you to alternate between any of your selected shower outputs by directing the water from the shower head to each additional accessory, one at a time and features an On/Off switch to turn your shower or tub on and off.

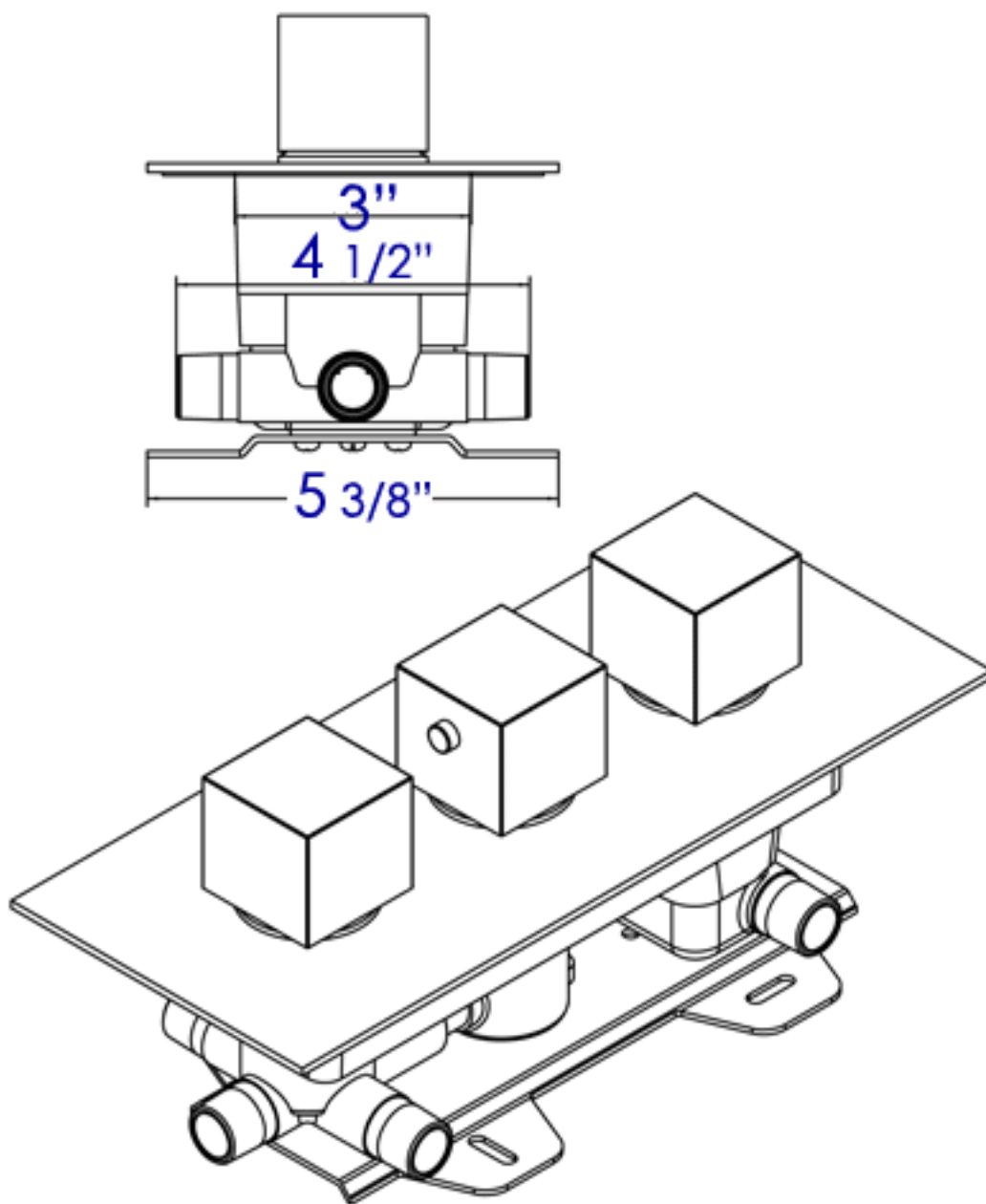
Valve B connects conventionally to your hot and cold water supply with the hot water on the left and the cold water on the right. This valve is used to control the water temperature only, it will not turn the water on or off.

Valve C enables you to have an additional output. This valve operates independently from Valve A allowing two outputs to be used at one time. This valve is typically connected to the body jet feature, allowing the body jets and shower head to be used simultaneously but can be configured to accommodate any speciality shower design. If no additional output is desired this valve can be closed with a threaded brass plug.

Your plumber can determine the proper plumbing layout for your customised shower configuration. All rough-in work should be completed by a professional.



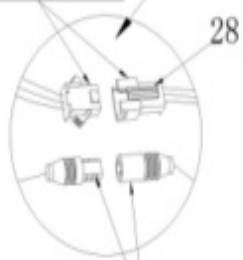




Step By Step Installation Instructions



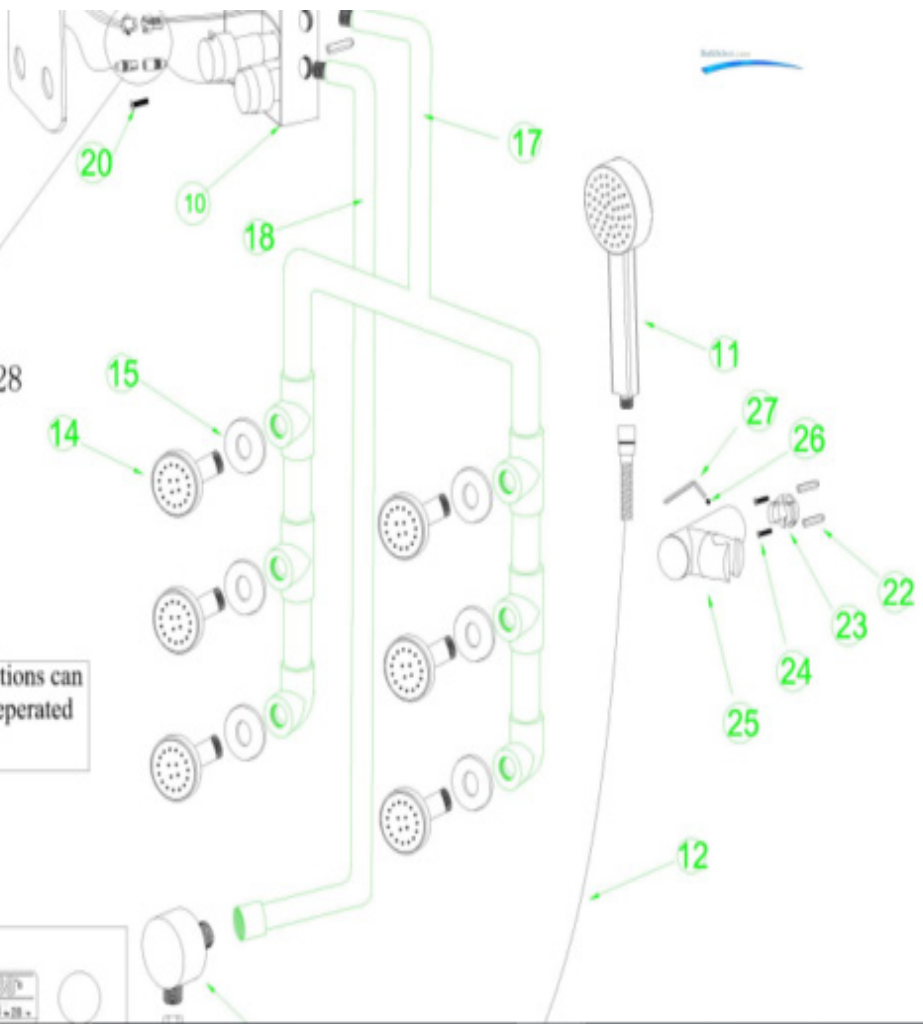
These two connections can be connected directly.  
And pressing part 28, then can disconnect them.



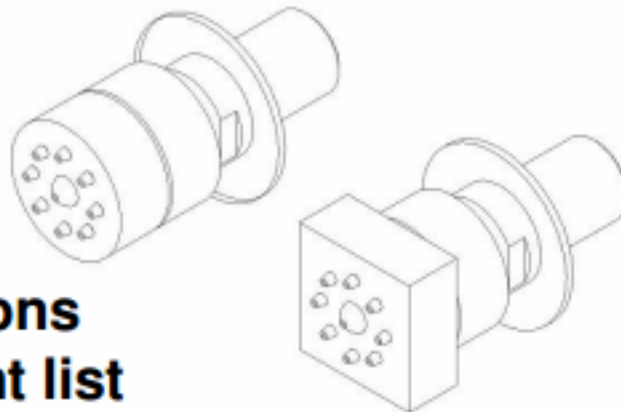
These two connections can be connected or separated directly.



Attention:  
The Maximum temperature of the first set is 38°C.  
And turn left is to higher

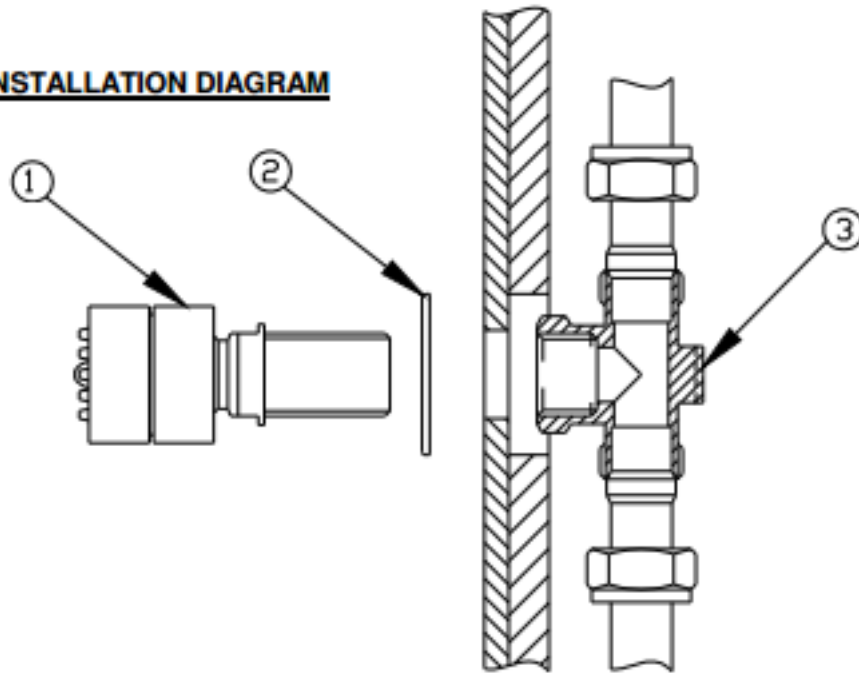


## Body Jet

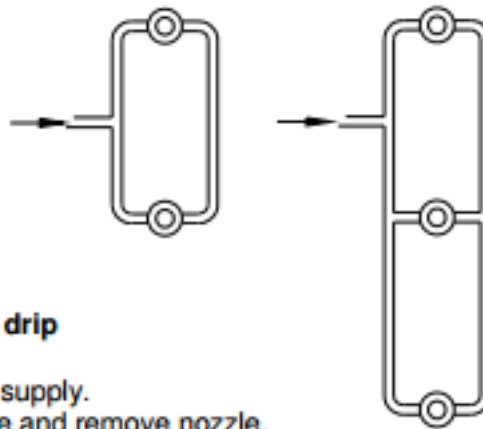


## Fitting Instructions & Content list

## **INSTALLATION DIAGRAM**



Multiple body jets will require installation in parallel using a pressure-balancing loop, as shown below:

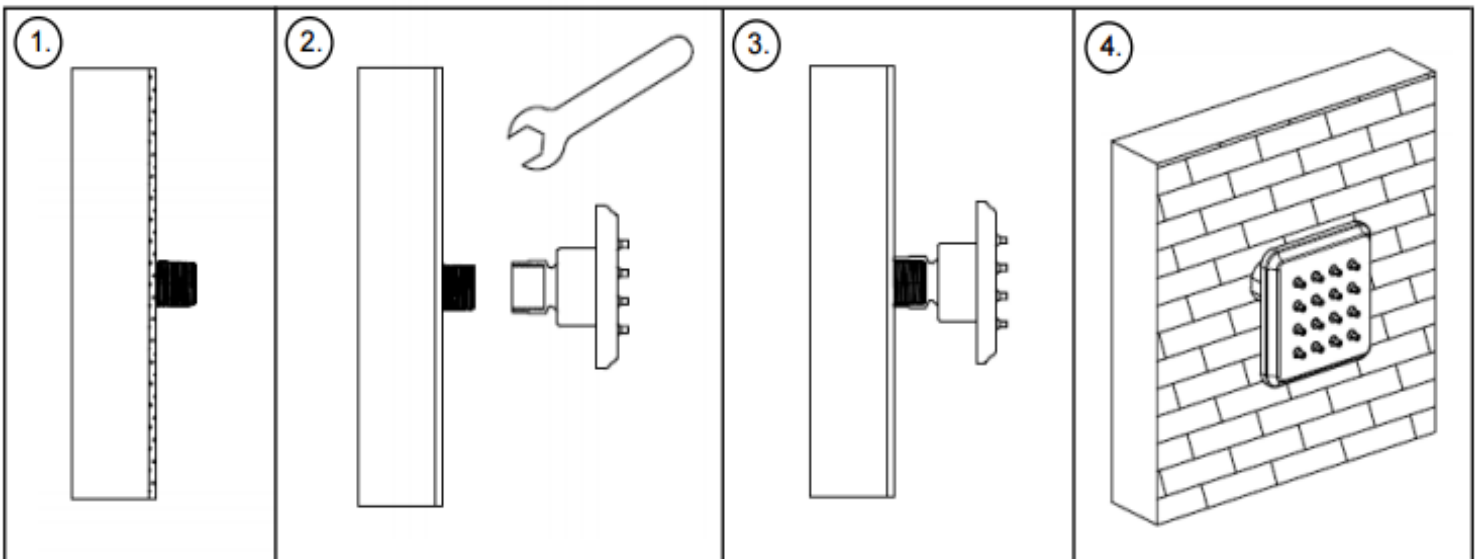


## **MAINTENANCE**

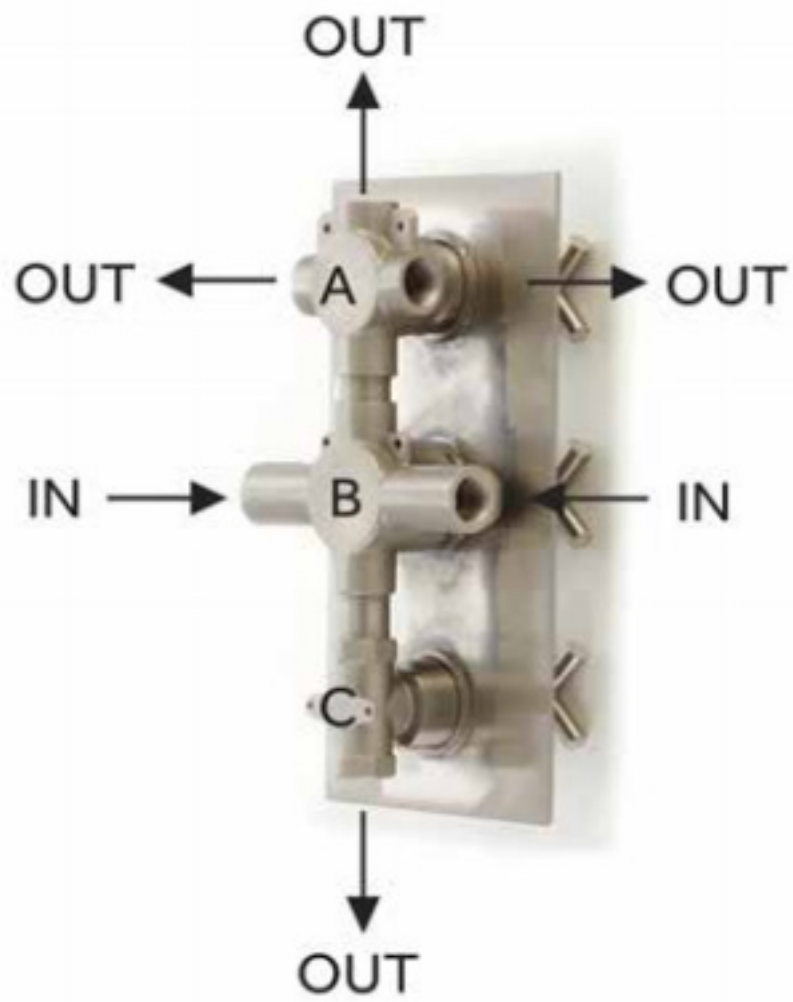
**If the fitting begins to drip**

1. Turn off the water supply.
2. Unscrew face plate and remove nozzle.

## **BODY JET INSTALLATION**

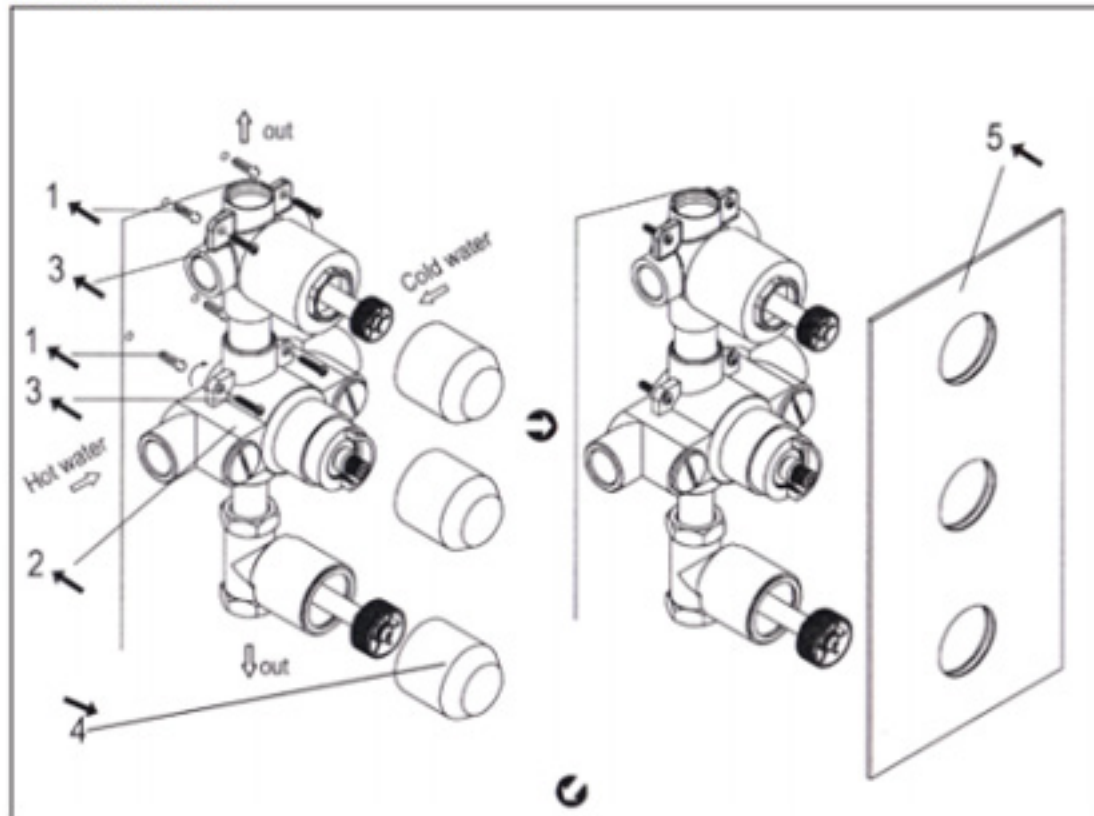




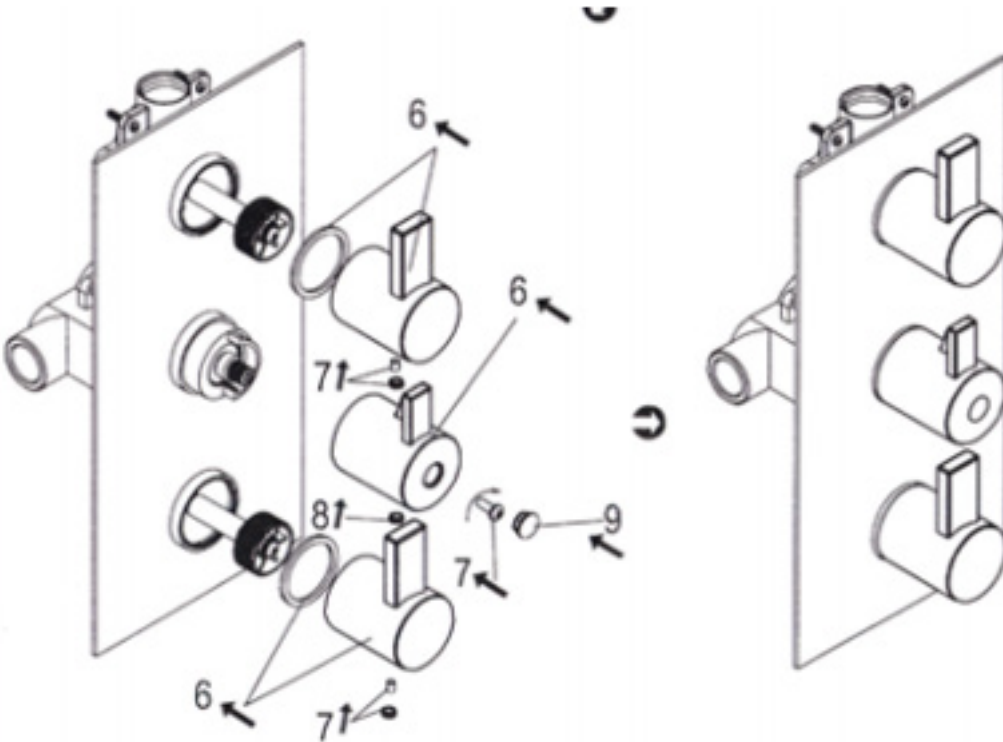


## VALVE SPECIFICATIONS

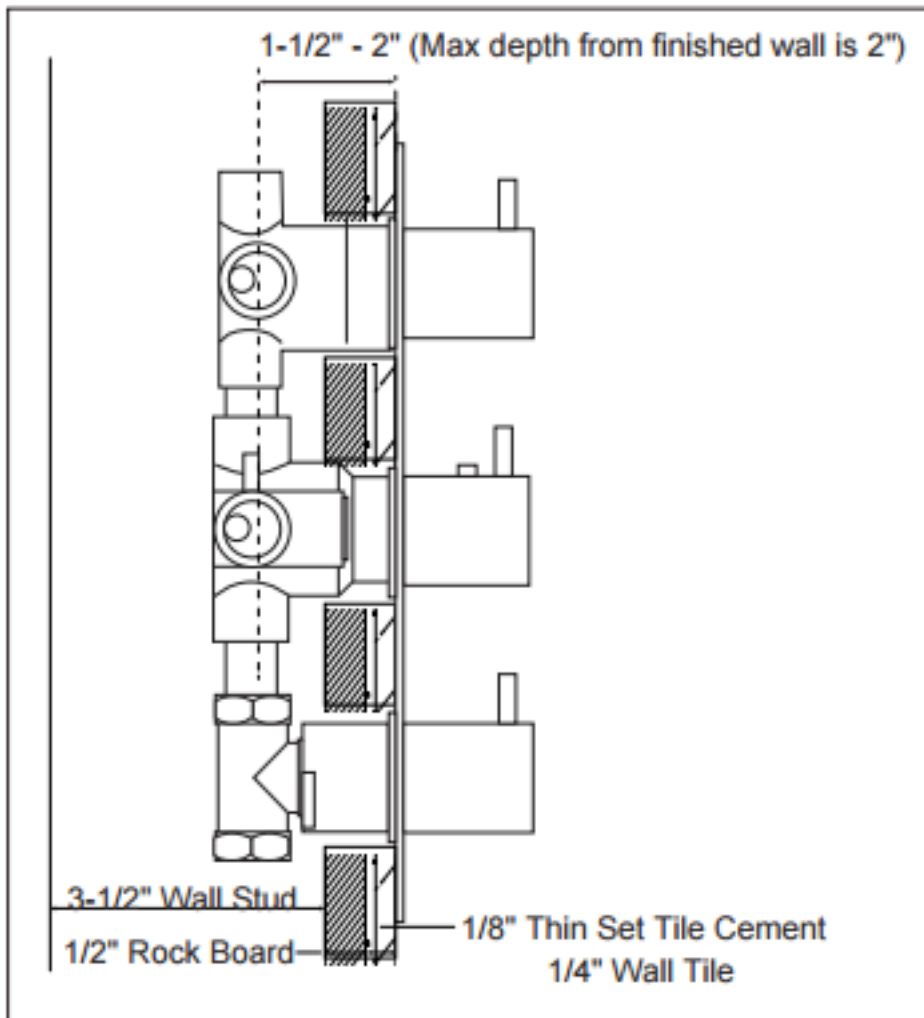
### INSTALLATION



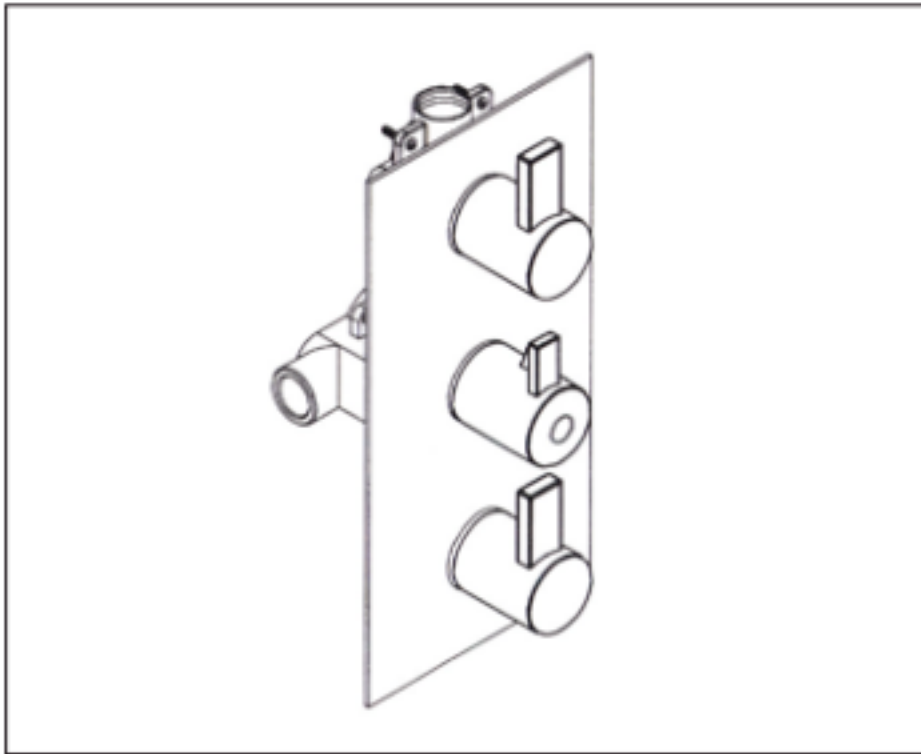




**TECHNICAL DRAWING**

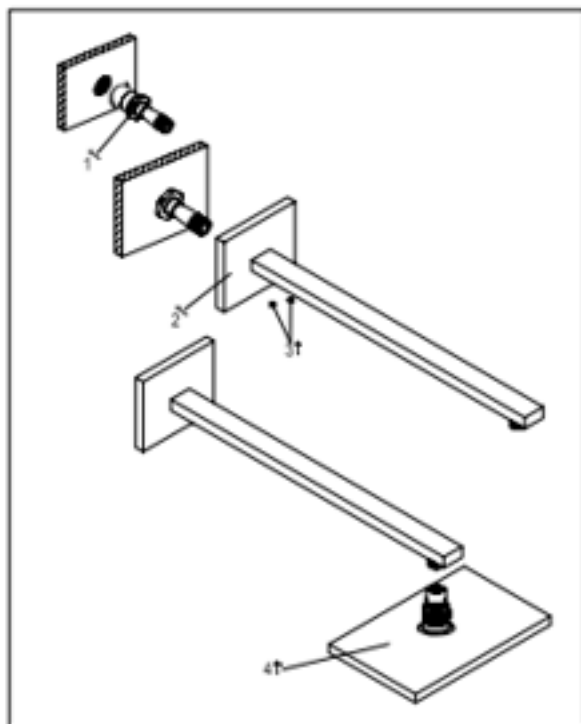


## ALTERNATE VIEW

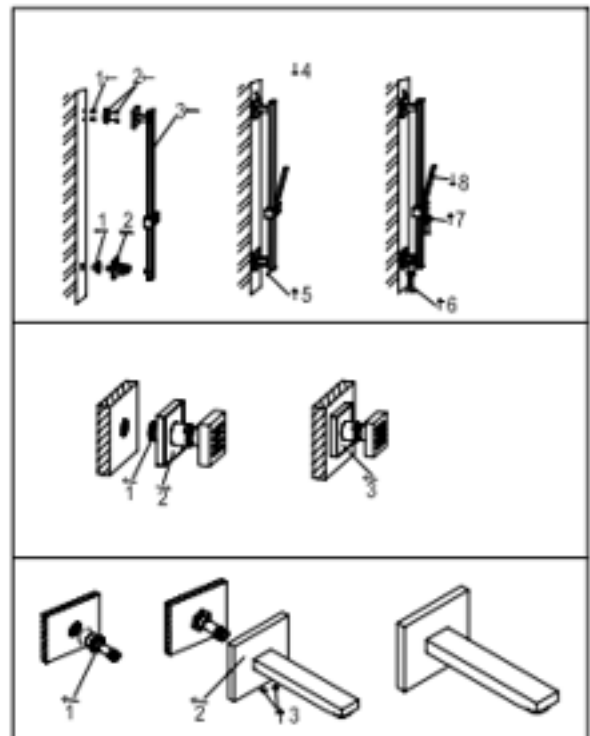


## INSTALLATION

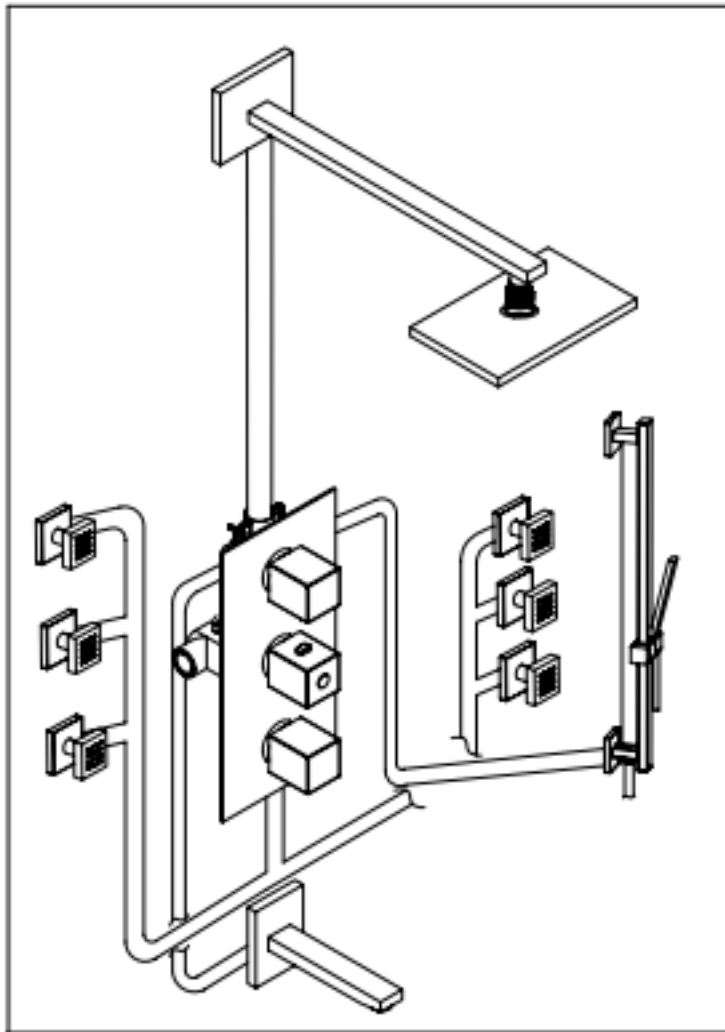
### SHOWER ARM



### HAND SHOWER AND TUB SPOUT



## THERMOSTATIC MIXER WITH 3-WAY DIVERTER



This general Diagram and installation are not intended for any specific model, but is presented as a general guideline for installations!.