

New 40" by 40" Large Dark Oil Rubbed Bronze Square Ceiling Mount LED Rain Shower Head



INSTALLATION INSTRUCTIONS

INSTALLATION INSTRUCTIONS

- Before you begin, read the installation instructions below. Observe all local plumbing and building codes.
- For the following installation instructions for your new shower head it is assumed that any old fixtures have been removed and all rough-in work has been completed.
- Unpack and inspect the shower head for any shipping damages. If you find any damages, do not install. Contact Customer Service at 800-297-0232. If you need assistance while installing your new shower head, call Customer Service.

We recommend consulting a professional if you are unfamiliar with installing bathroom fixtures and plumbing. Shut off the water supply lines where the new shower head is being installed.

TOOLS AND MATERIALS:

- Groove Joint Pliers
- Adjustable Wrench
- Plumber's Tape
- Dry Cloth
- Phillips Screwdriver
- Silicone Sealant
- Damp Cloth
- Allen Wrench (provided)

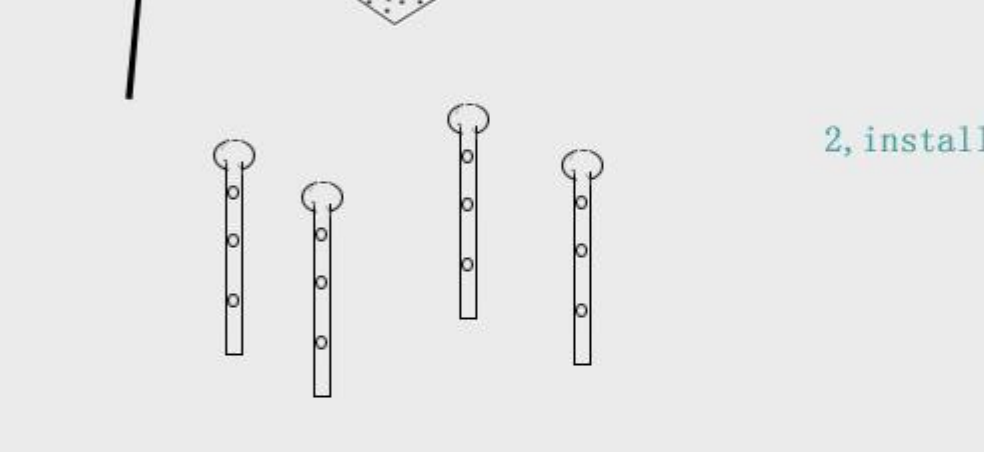
INSTALLATION

1. Apply plumber's tape to the threads on both ends of the shower arm and slide on the decorative escutcheon.
2. Insert the new arm into the fitting in the wall or ceiling and twist to tighten. Finish tightening with your adjustable wrench. Wrap a dry cloth around the shower arm to protect the finish while tightening with adjustable wrench.
3. If your shower head does not feature a shower arm, connect the shower head directly to the fitting in the wall or ceiling.
4. Thread the new shower head onto the arm and hand-tighten. Hold the shower arm in place with groove joint pliers and finish tightening the shower head with your adjustable wrench. Wrap both in a dry cloth to protect the finish.
5. Before securing the decorative escutcheon to the wall, turn on the water supply to make sure that all connections are tight and there is no leaking. If no leaks are detected, continue with the installation. If leakage does occur, use your adjustable wrench to tighten the connections as necessary. If problems persist, contact Customer Service at 800-297-0232.
6. Apply a bead of silicone sealant to the back of the escutcheon and press firmly into place against the installation surface. Wipe away any excess sealant with your damp cloth.
7. Install the handle faceplate with the installation hardware.
8. Make sure the valve is in the OFF position and install your shower handle. Tighten the set screw in the middle or side of the handle to secure the handle in place.

Install Instruction

Remarks: ceiling mounted shower head come with fixing bar installation

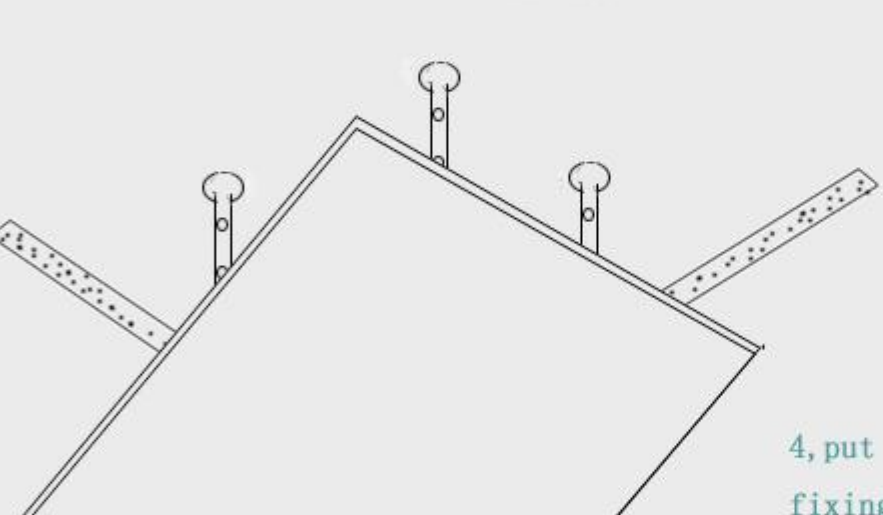
1, draw size on ceiling



2, install fixing bar on ceiling

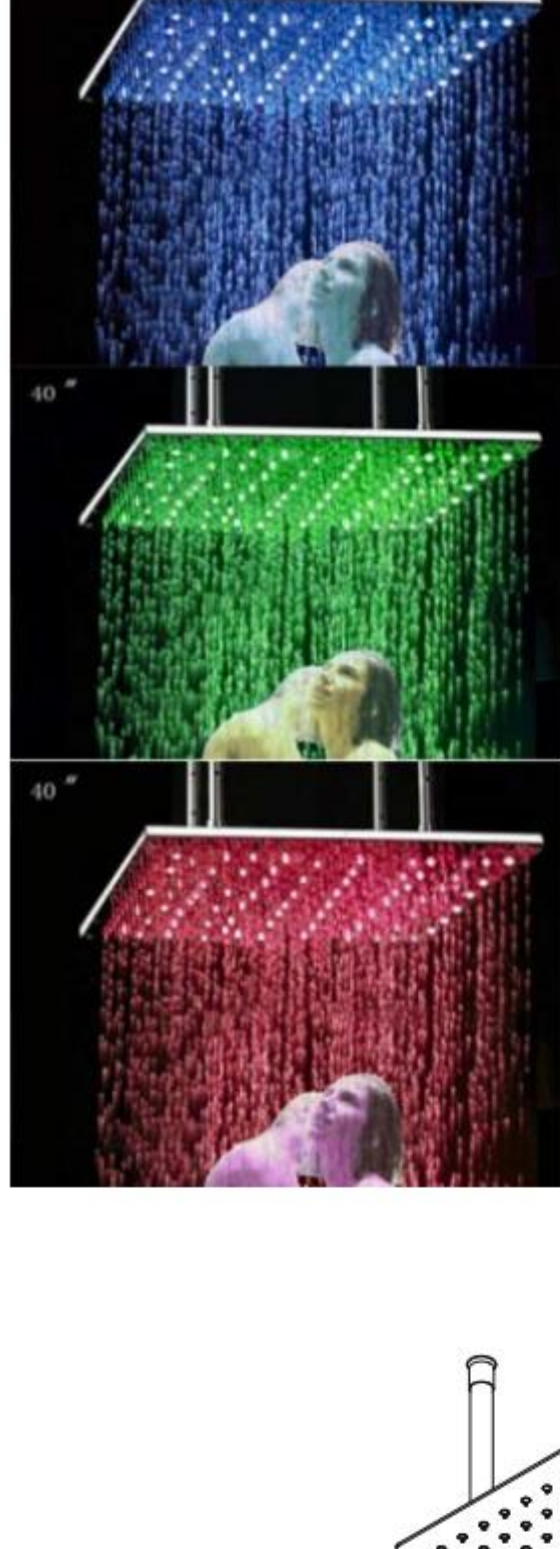
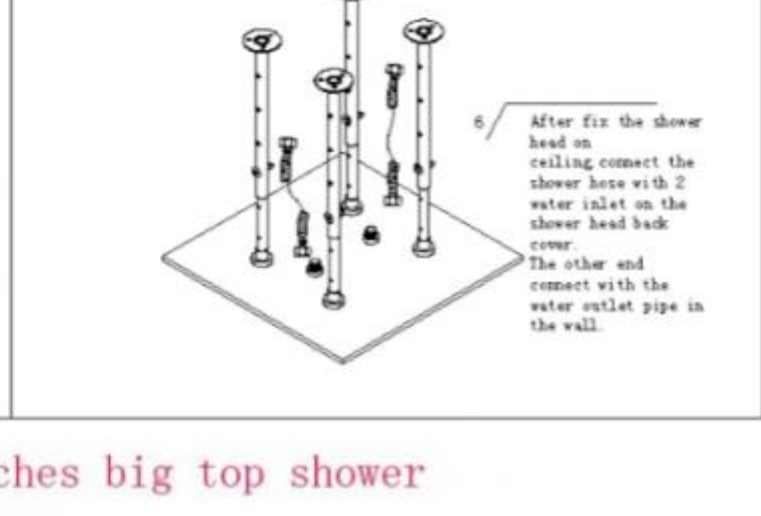
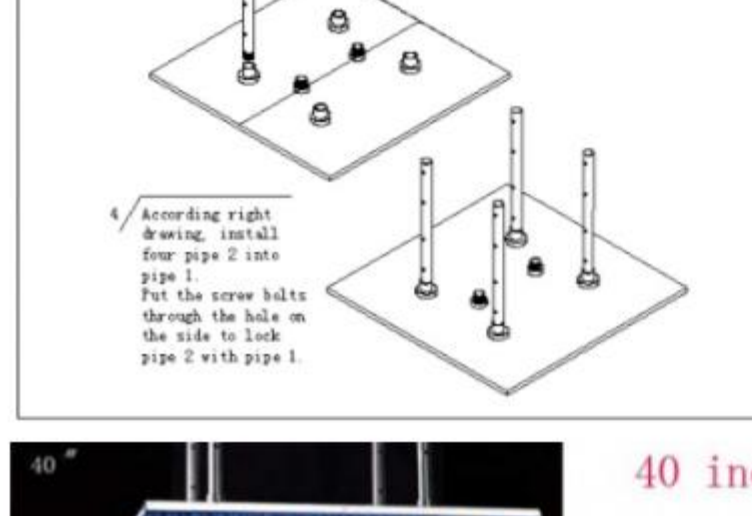
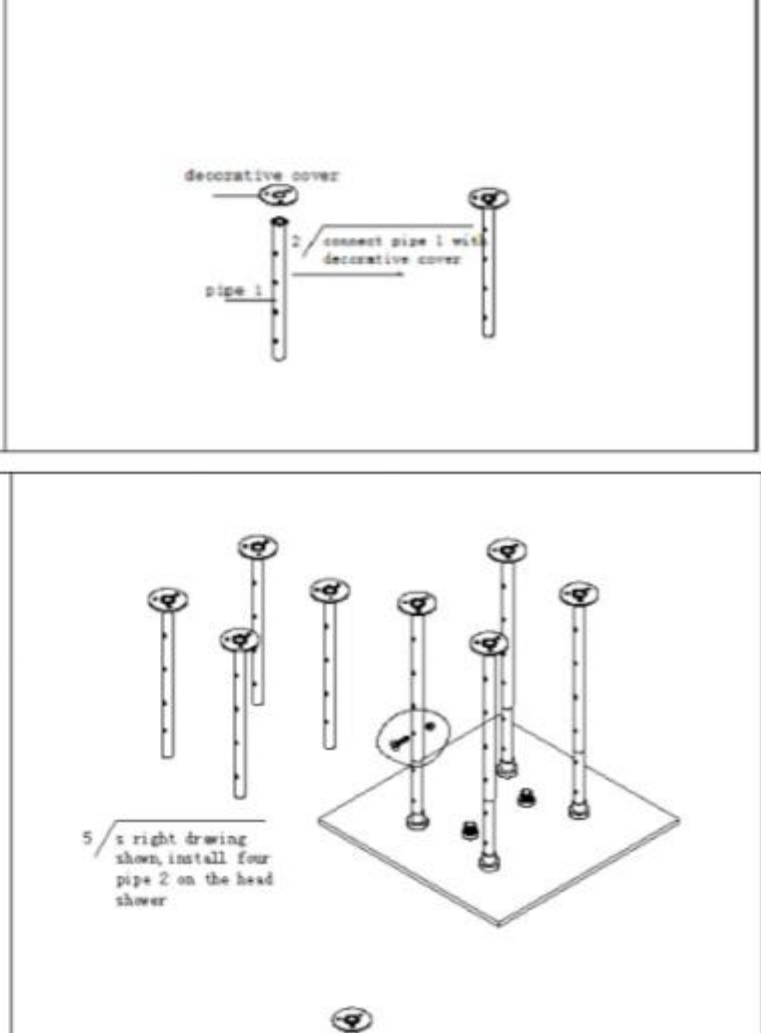
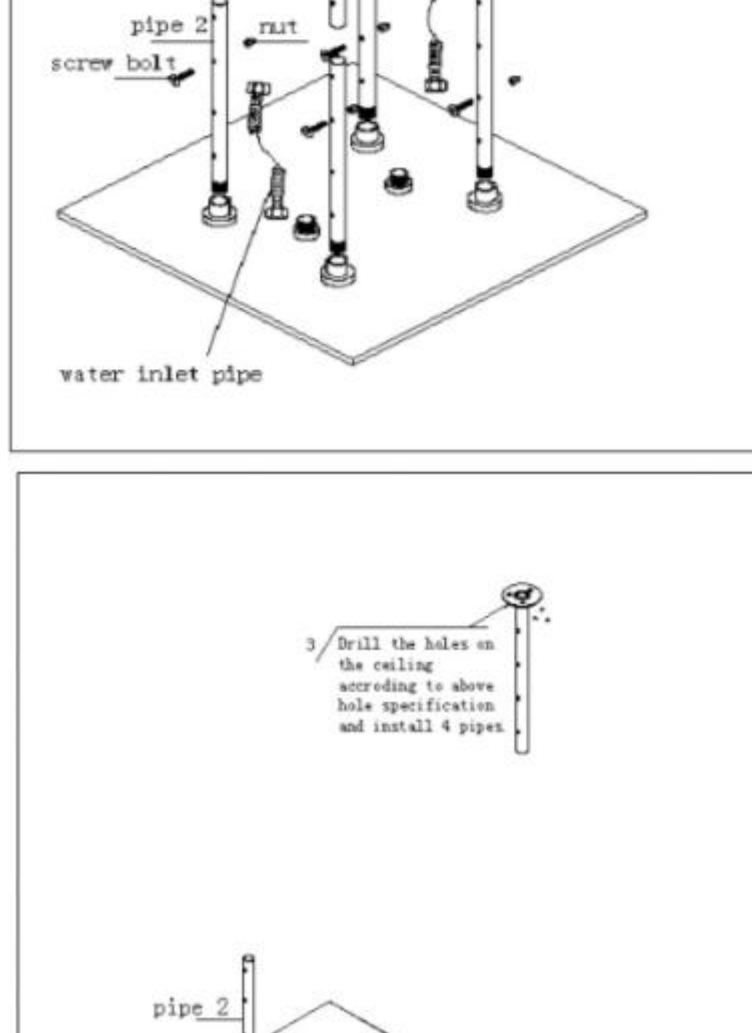
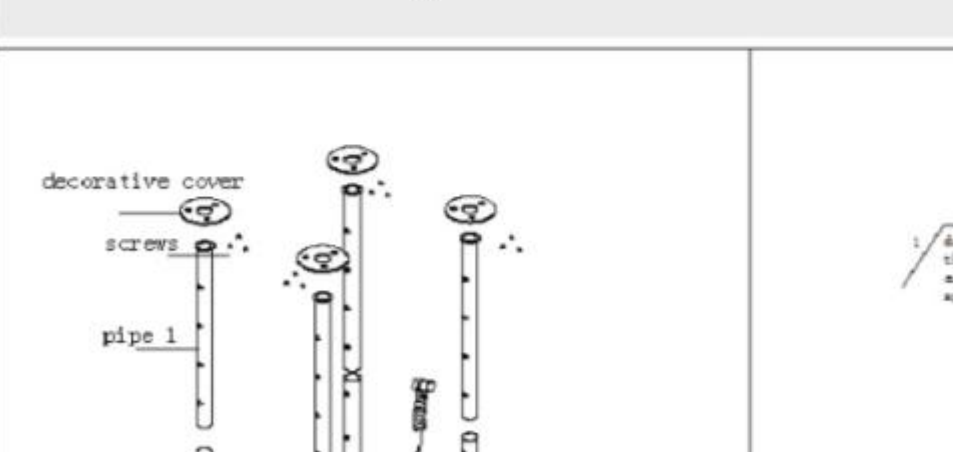


3, install fixing bar on shower head

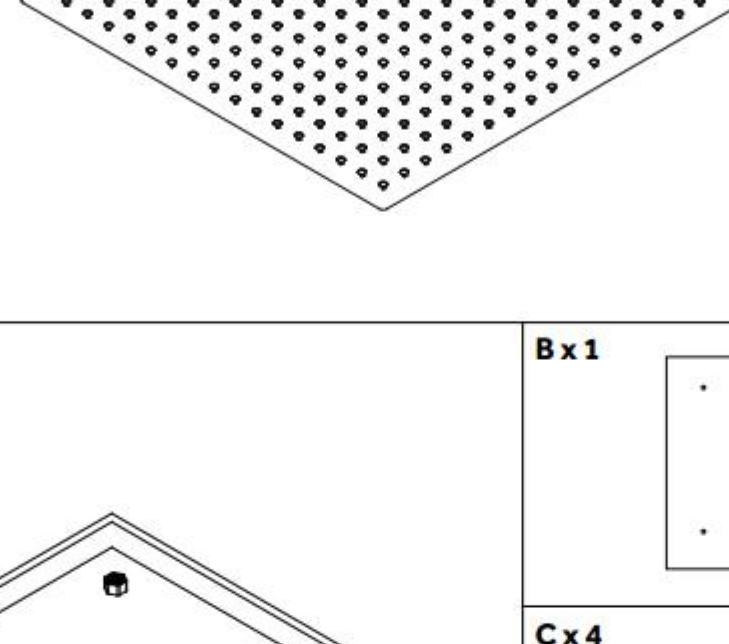
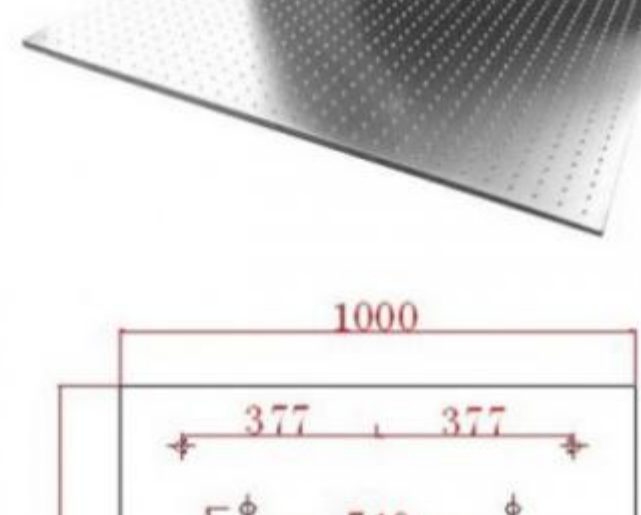


4, put shower head bar on ceiling fixing bar.

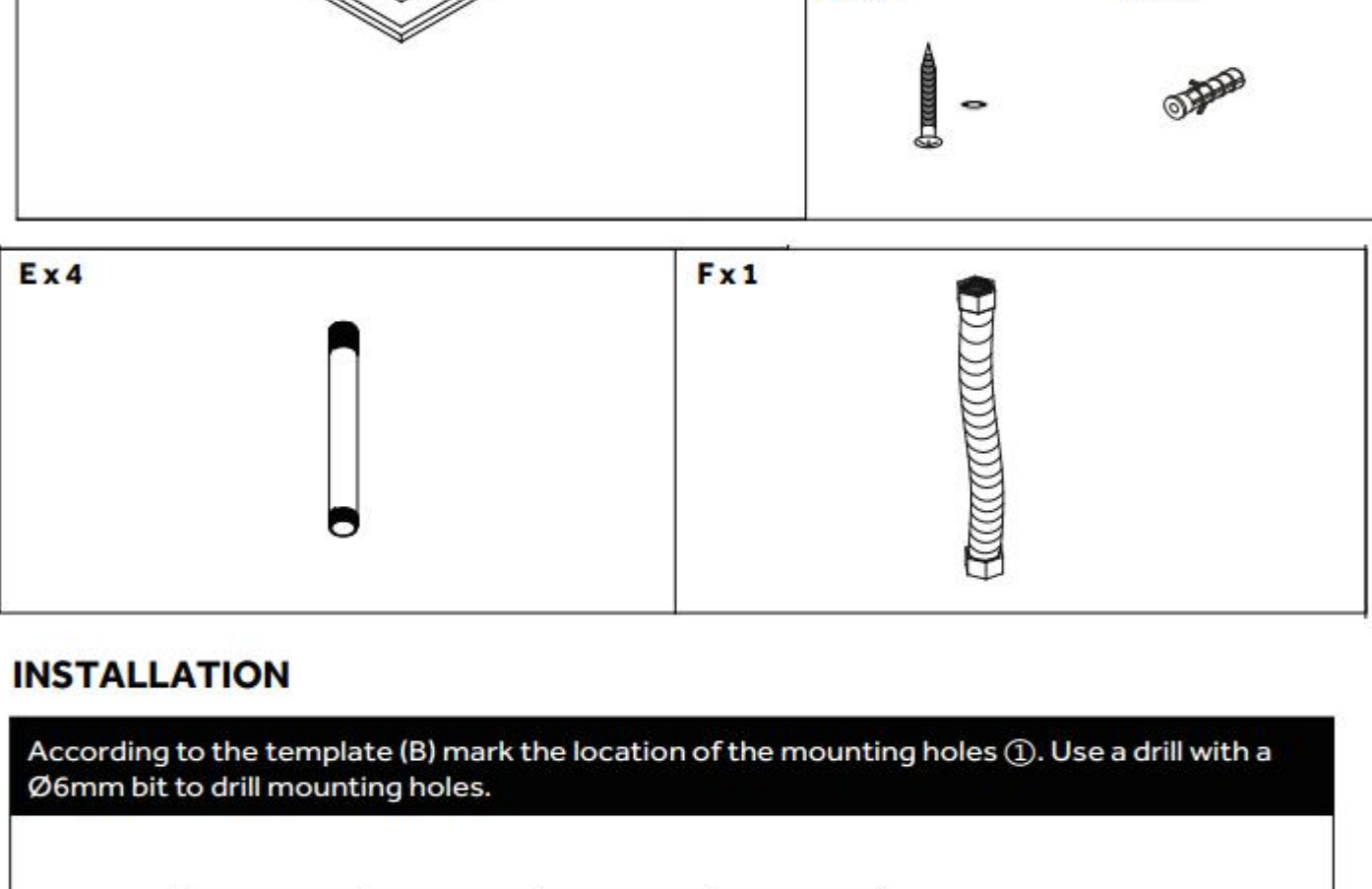
shower head install is ok now



40 inches big top shower

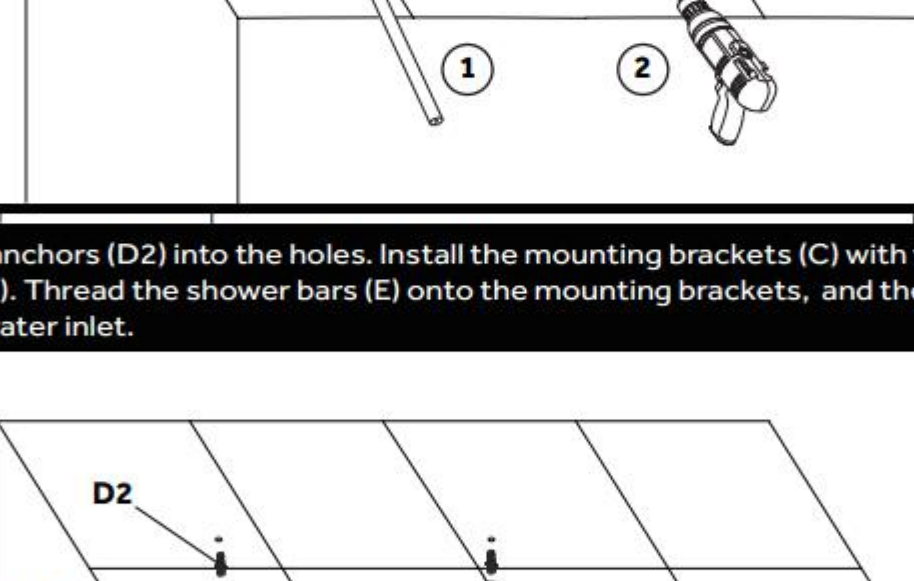


PARTS LIST

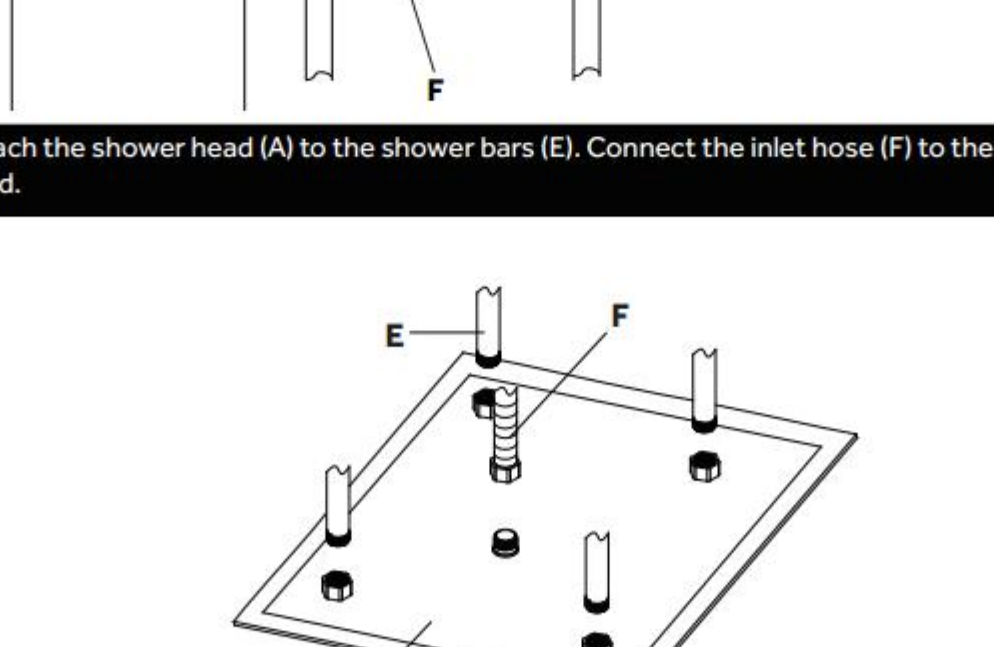


INSTALLATION

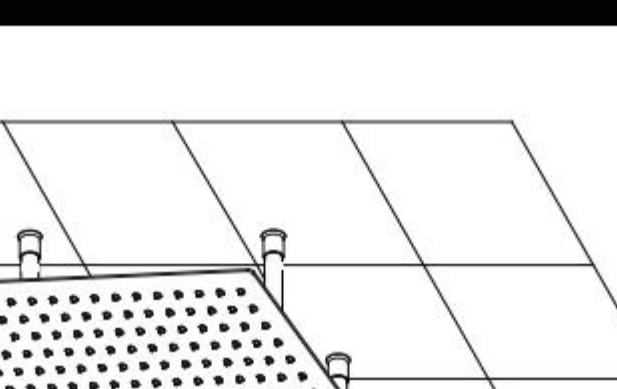
According to the template (B) mark the location of the mounting holes ①. Use a drill with a Ø6mm bit to drill mounting holes.



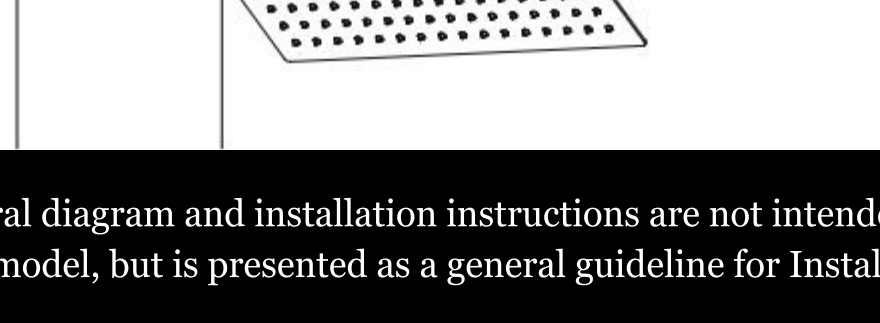
Insert the anchors (D2) into the holes. Install the mounting brackets (C) with the tapping screws (D1). Thread the shower bars (E) onto the mounting brackets, and the inlet hose (F) onto the water inlet.



Attach the shower head (A) to the shower bars (E). Connect the inlet hose (F) to the shower head.



The installation is complete.



This General diagram and installation instructions are not intended for any specific model, but is presented as a general guideline for Installations!