

# Bermuda Luxury LED Rainfall Shower Head Set with 6 Round Body Massage Jets

## INSTALLATION INSTRUCTIONS

### INSTALLATION INSTRUCTIONS

Before you begin, read the installation instructions below. Observe all local building and safety codes.

Unpack and inspect for any shipping damages. If you find any damages, do not install. Contact Customer Service. If you need assistance while installing your shower system, call our Customer Service number.

We recommend consulting a professional if you are unfamiliar with installing bathroom fixtures and plumbing.

### THERMOSTATIC VALVE INFORMATION

The thermostatic shower system features three valves that allow you to keep water temperatures consistent each time the shower is used and create a customized shower system.

Valves A and C are attached to the rainfall shower head and hand shower. These valves operate independently from one another allowing both outputs to be used at one time.

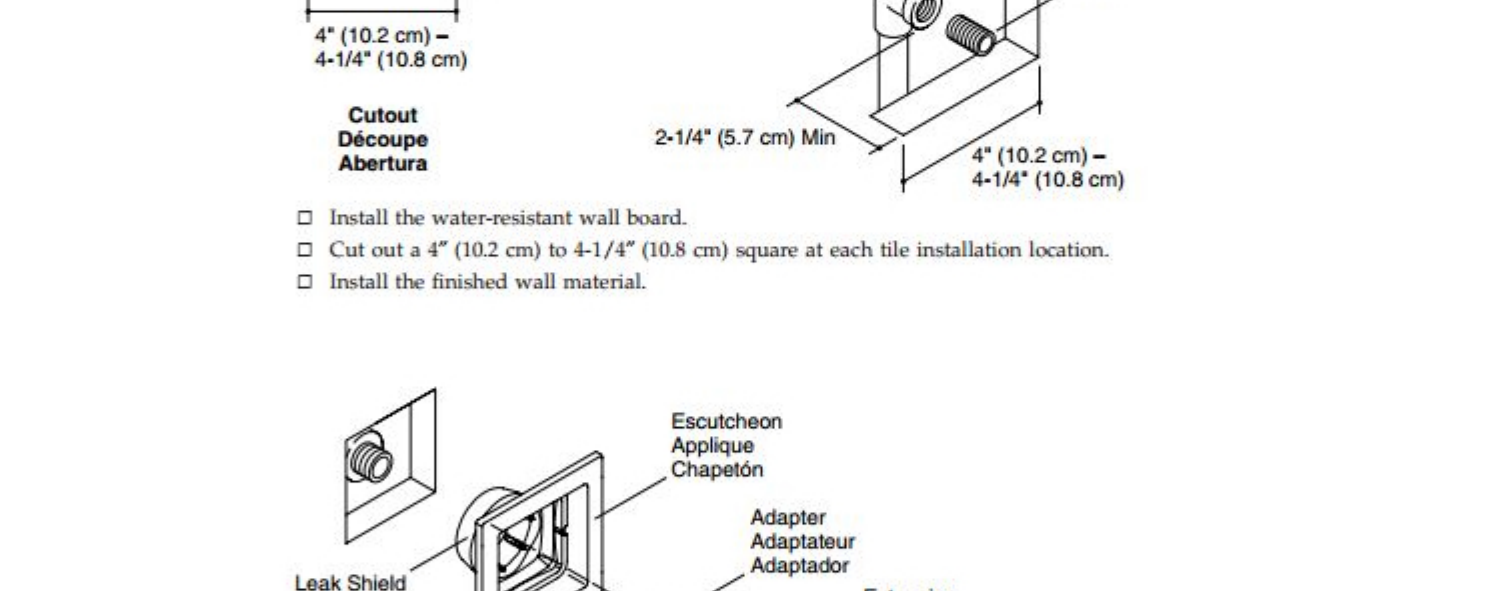
Valve B connects conventionally to your hot and cold water supply with the hot water on the left and the cold water on the right and is used to control the water temperature.

### TOOLS AND MATERIALS:

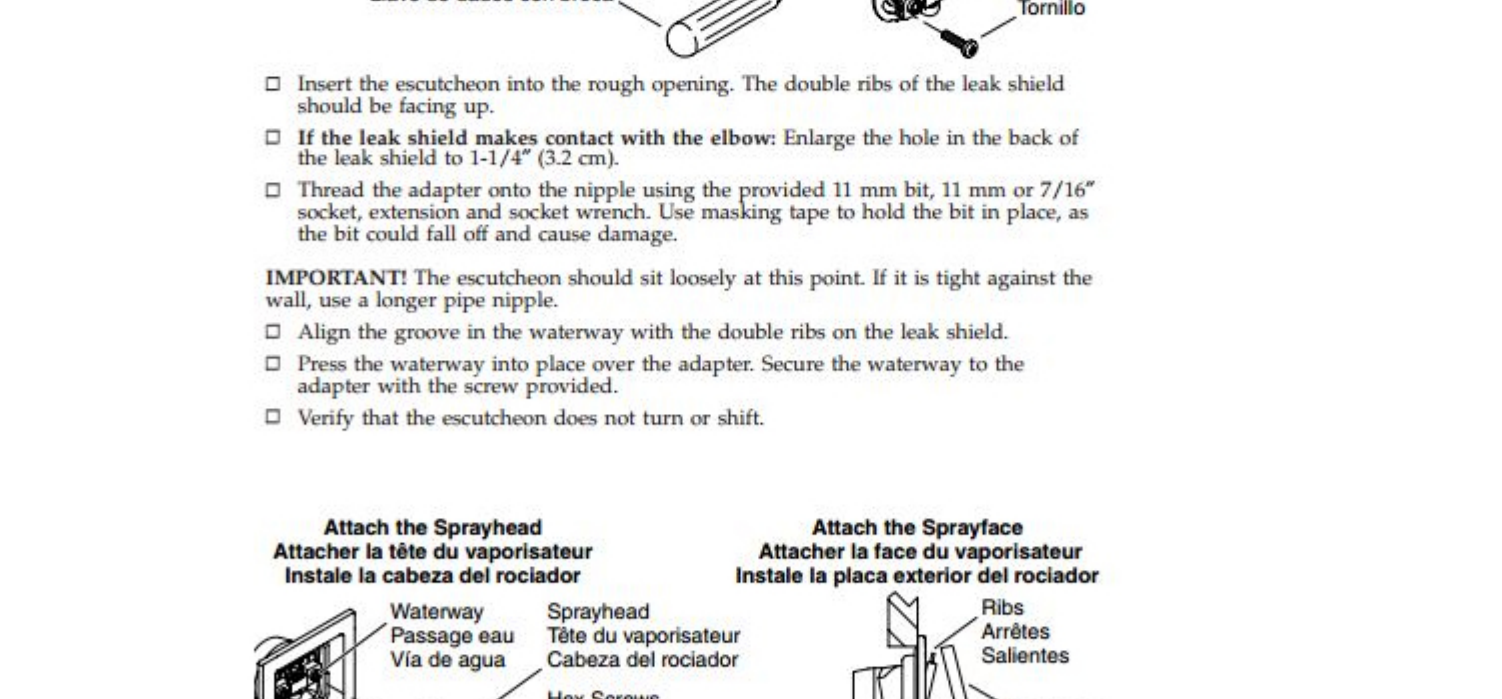
- Screwdriver
- Teflon Tape
- Adjustable Wrench
- Smooth Joint Pliers
- Soft Cloth
- Silicone Sealant

### SHOWER HEAD INSTALLATION

- Apply plumber's tape to the threads on both ends of the shower arm and slide on the decorative escutcheon.
- Insert the new arm into the fitting in the ceiling and twist to tighten. Finish tightening with your adjustable wrench. Wrap a dry cloth around the shower arm to protect the finish while tightening with adjustable wrench.
- Thread the new shower head onto the arm and hand-tighten. Hold the shower arm in place with groove joint pliers and finish tightening the shower head with your adjustable wrench. Wrap both in a dry cloth to protect the finish.
- Before securing the decorative escutcheon, turn on the water supply to make sure that all connections are tight and there is no leaking. If no leaks are detected, continue with the installation. If leakage does occur, use your adjustable wrench to tighten the connections as necessary. If problems persist, contact Customer Service.



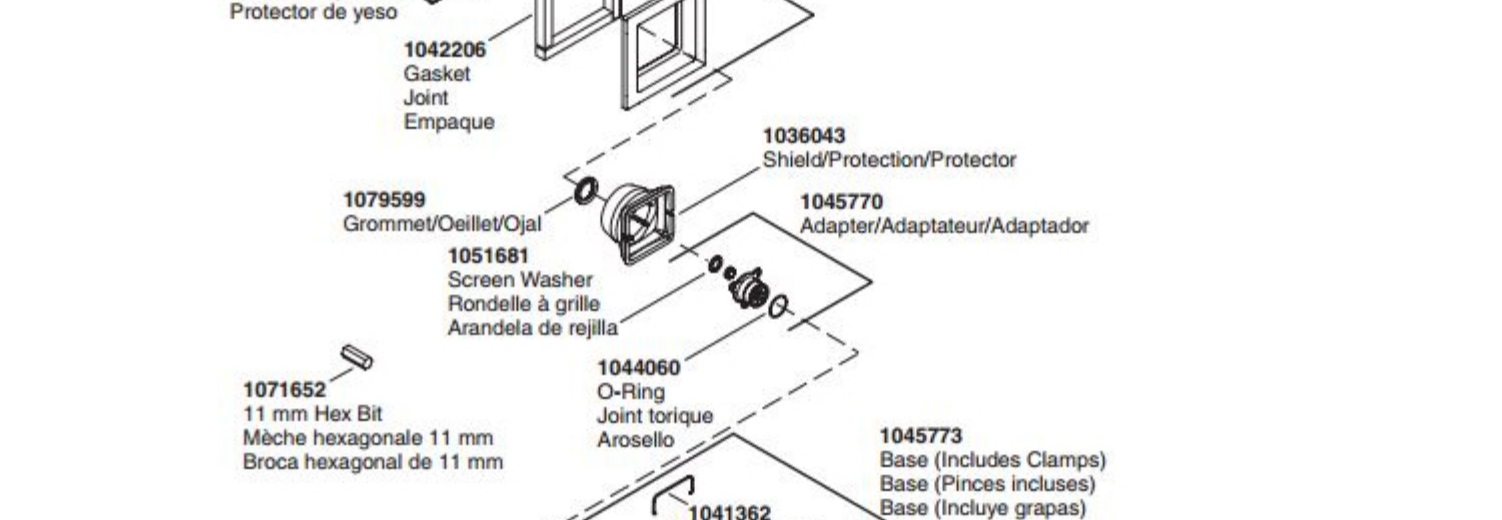
- Install the water-resistant wall board.
- Cut out a 4" (10.2 cm) to 4-1/4" (10.8 cm) square at each tile installation location.
- Install the finished wall material.



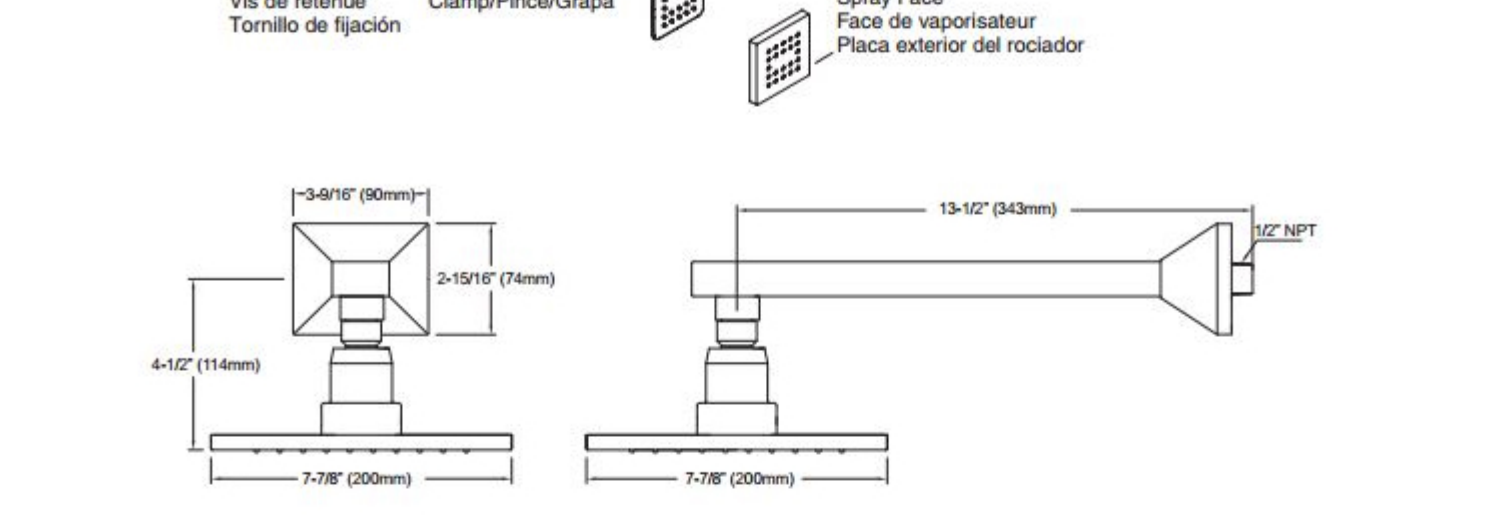
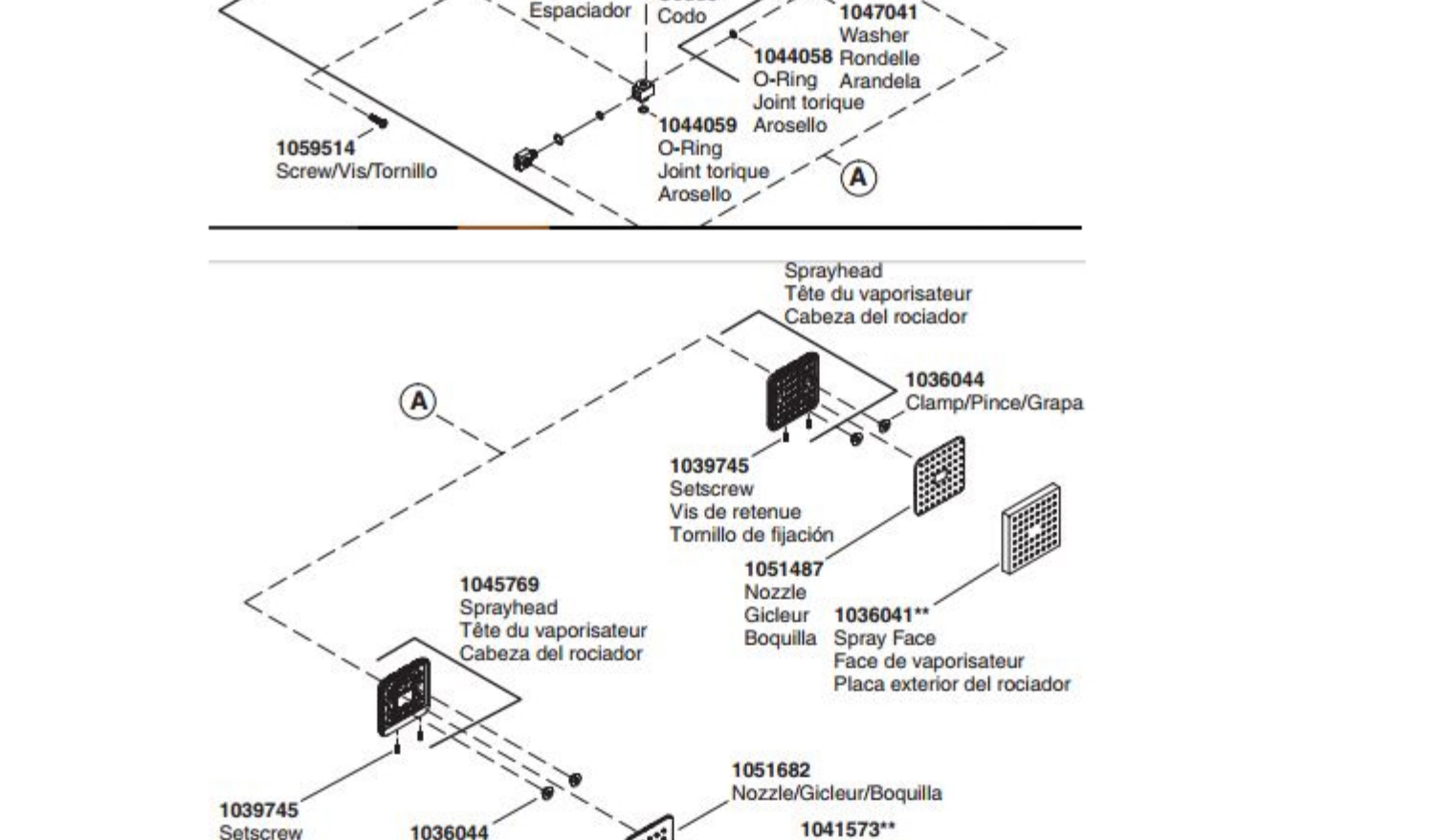
- Insert the escutcheon into the rough opening. The double ribs of the leak shield should be facing up.
- If the leak shield makes contact with the elbow: Enlarge the hole in the back of the leak shield to 1-1/4" (3.2 cm).
- Thread the adapter onto the nipple using the provided 11 mm bit, 11 mm or 7/16" socket, extension and socket wrench. Use masking tape to hold the bit in place, as the bit could fall off and cause damage.

**IMPORTANT!** The escutcheon should sit loosely at this point. If it is tight against the wall, use a longer pipe nipple.

- Align the groove in the waterway with the double ribs on the leak shield.
- Press the waterway into place over the adapter. Secure the waterway to the adapter with the screw provided.
- Verify that the escutcheon does not turn or shift.



- With the ribs of the sprayhead facing up, install the sprayhead to the waterway.

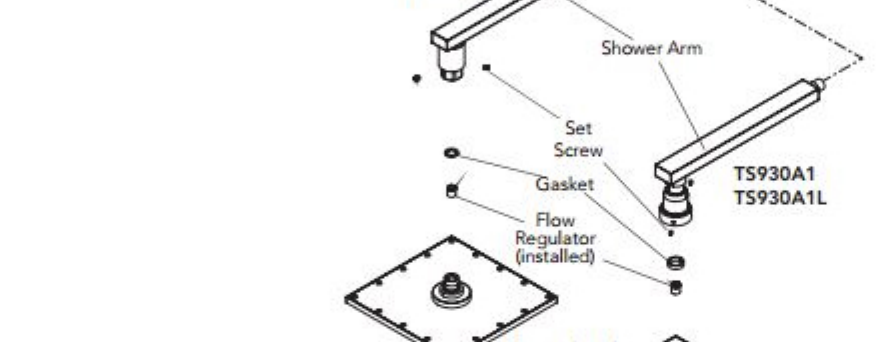


### COMMON TOOLS NEEDED



### BEFORE INSTALLATION

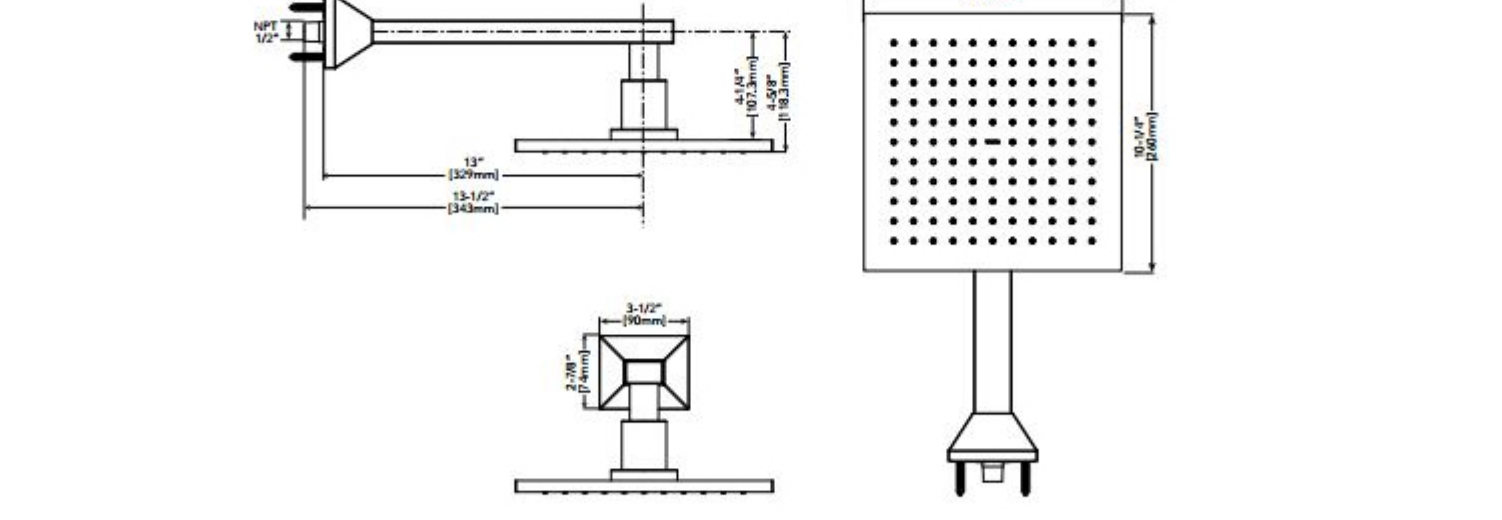
- Observe all local plumbing codes.
- Make sure water supply is shut off.
- Read these instructions carefully to ensure proper installation.
- TOTO® reserves the right to update product design without notice.
- Check to make sure you have the following parts indicated below:



### Installation Procedure (continued)

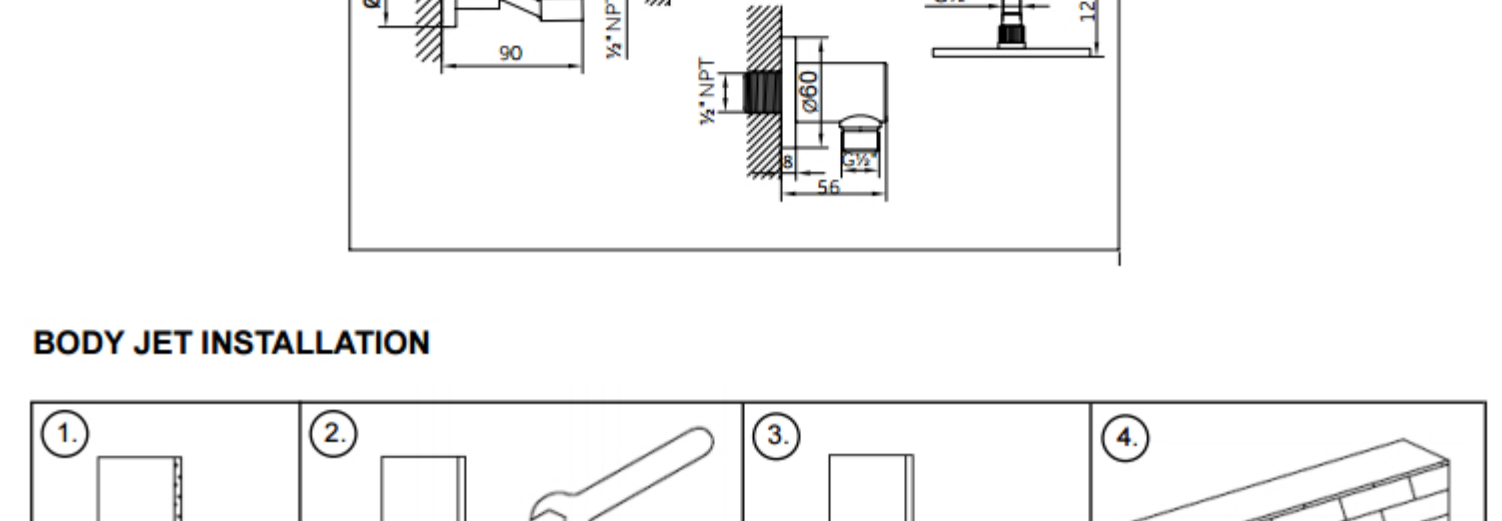
- Slide the mounting bracket back against the wall and tighten with pan head screws and washers. Secure the mounting bracket onto the wall with mounting screws.
- Slide the escutcheon toward the wall over the mounting bracket.

**FOR TS100B1/TS100B1L ONLY:** Install the shower arm adapter upward so that the hex nut is accessible. Make sure that the flow regulator is properly installed into the showerhead adapter and that the gasket is inside the hex nut. Thread the showerhead adapter into the hex nut until tight. Adjust the showerhead so that the TOTO® logo is parallel to the wall (slightly loosen the showerhead if necessary), then tighten with set screws. Slide the shower arm adapter over the hex nut and thread it onto the showerhead adapter.

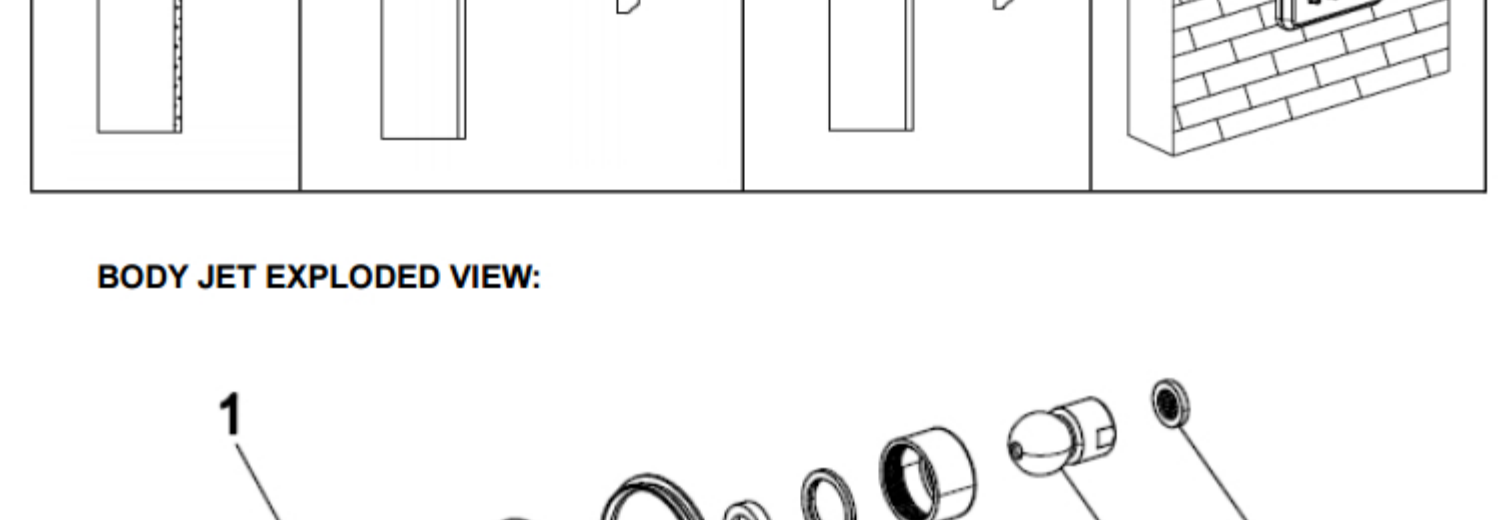


### SHOWER ARM AND TRIM

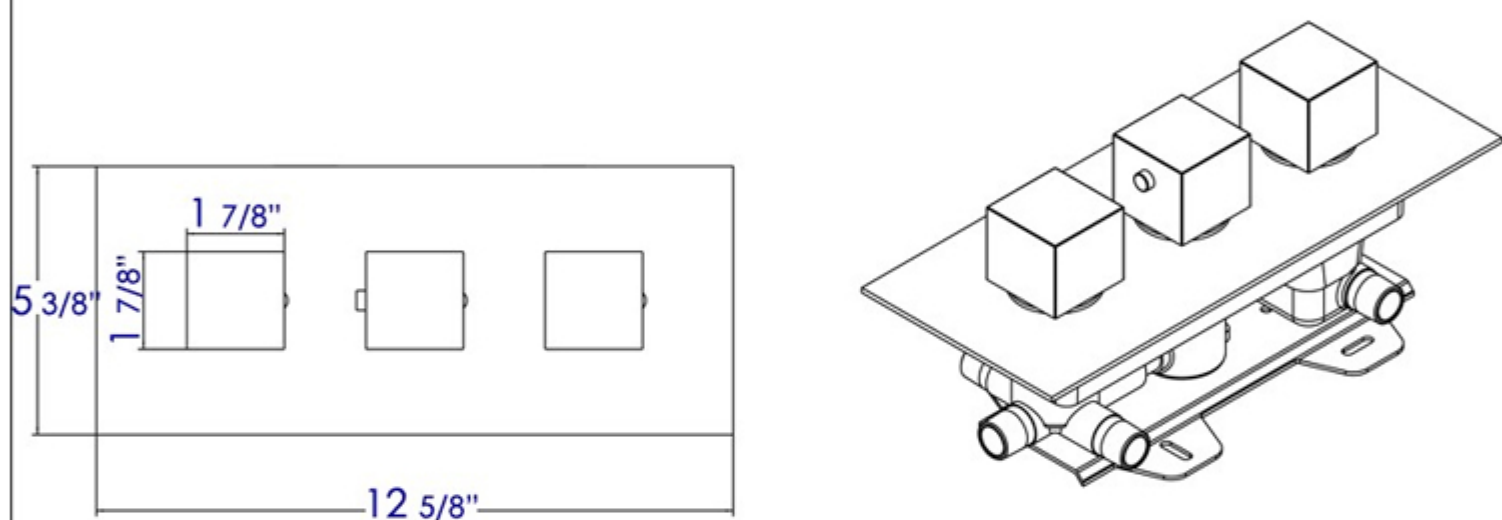
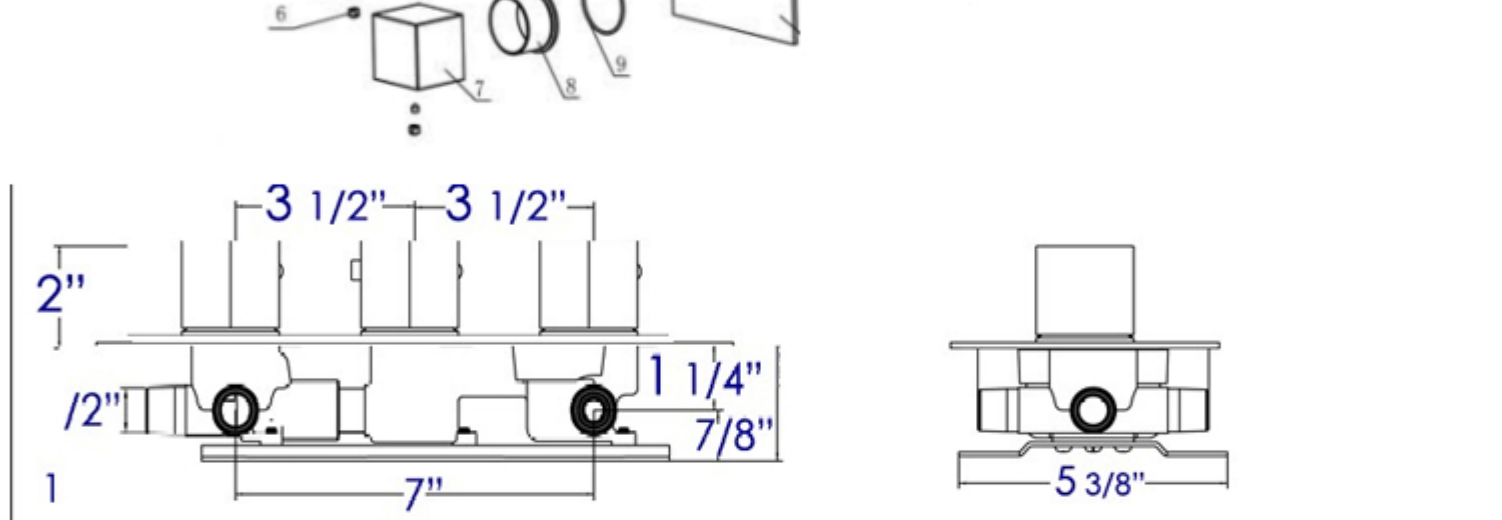
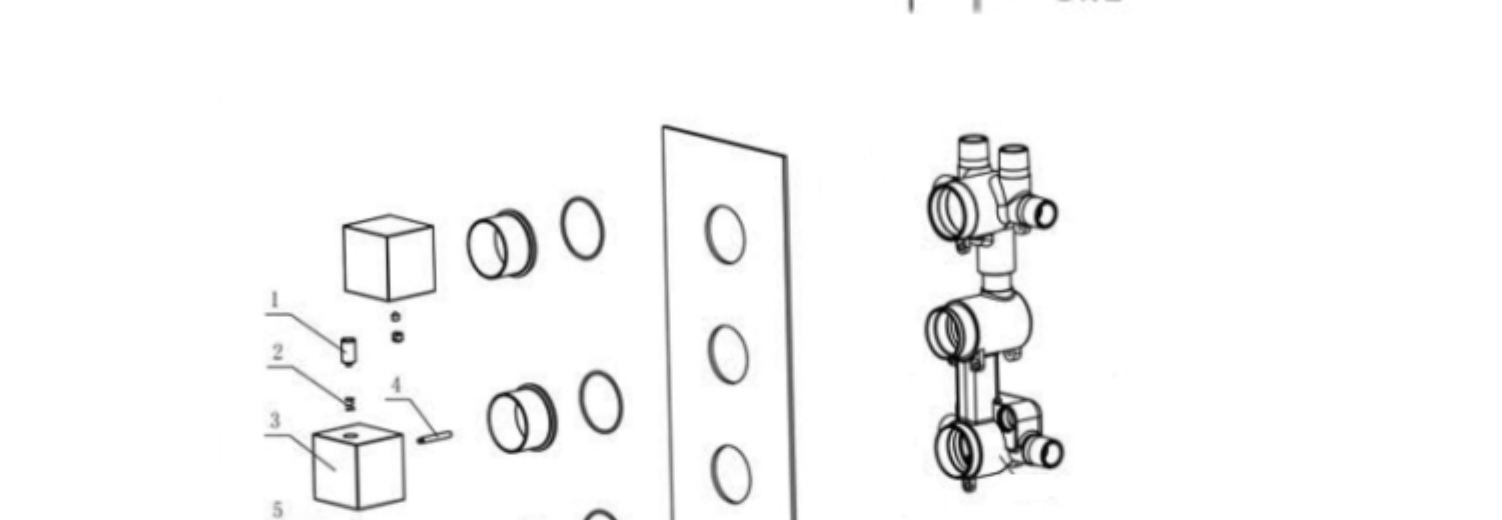
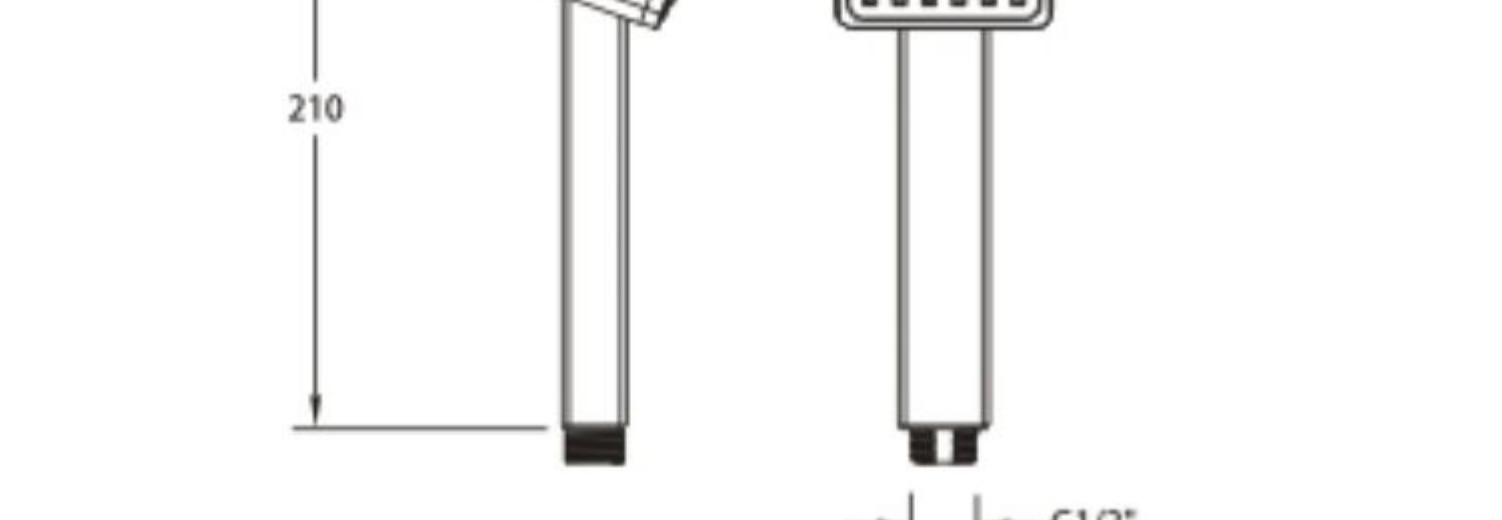
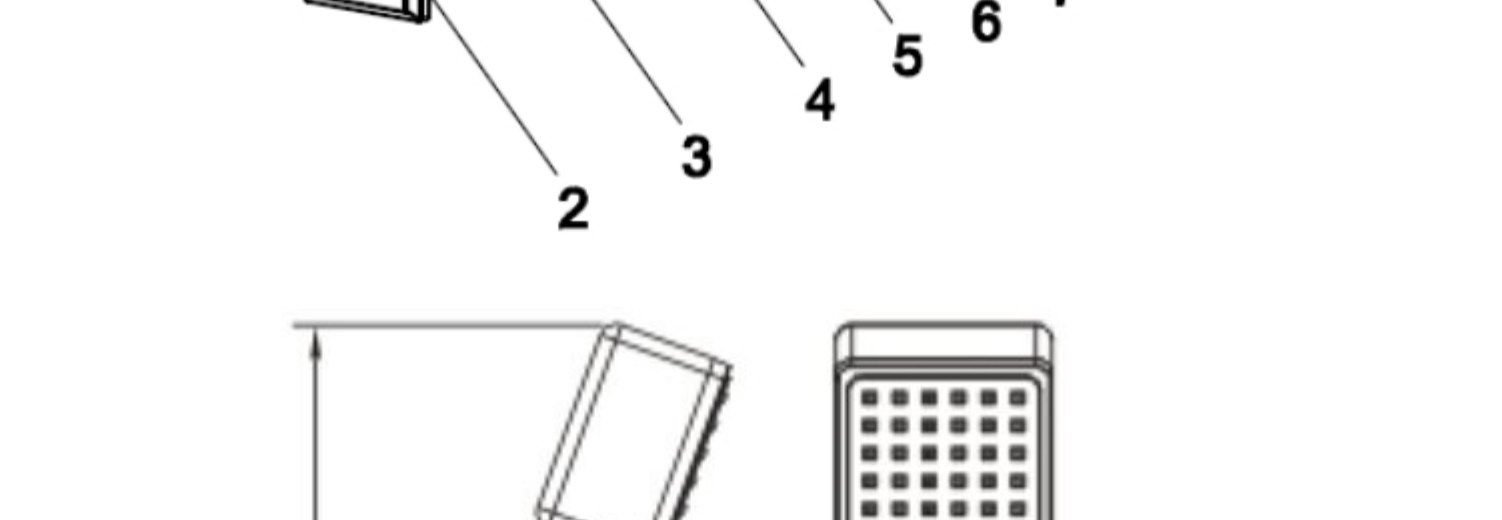
### TECHNICAL DRAWINGS



### BODY JET INSTALLATION



### BODY JET EXPLODED VIEW:

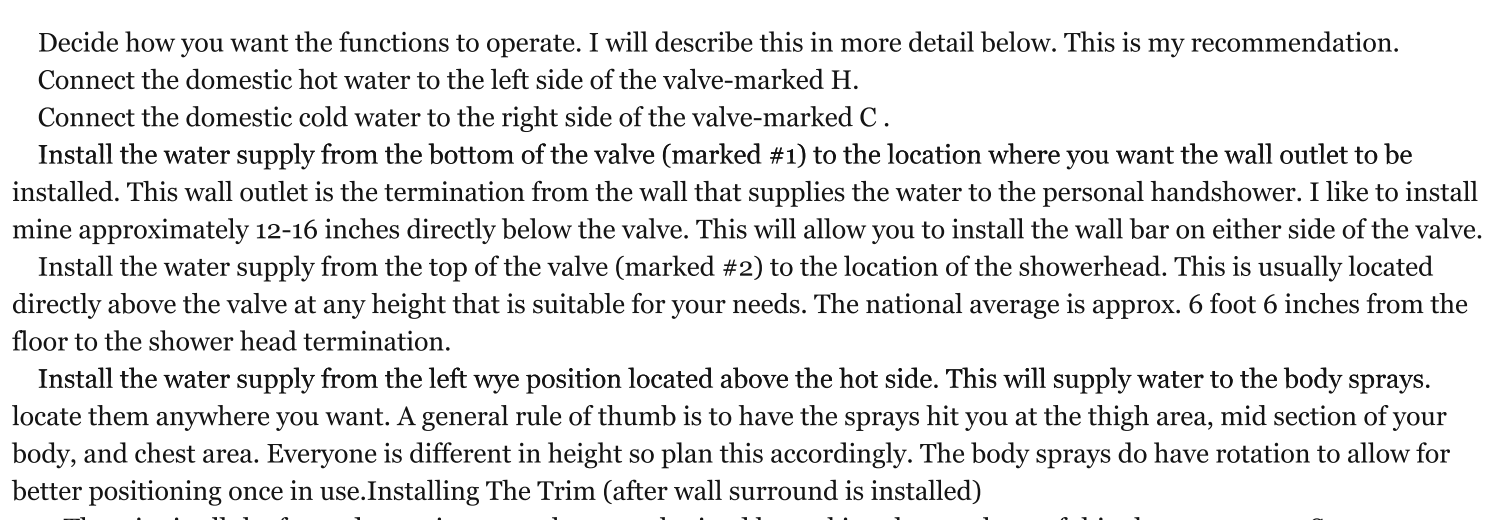


### INSTALLATION

Body jets should be arranged in your system to provide the necessary spray outlets to suit the application. Identify all components and check for completeness, particularly before arranging fitting. Depending on application the body jet can be panel mounted using a backnut (not supplied) or set into the wall on rigid pipe work. If panel mounting care should be taken to ensure connection can be made after securing with the backnut. Connect body jet to pipe work using recommended 1/2" BSP connections (not provided) with thread sealing compound where necessary.

**NOTE:** Before finishing wall turn on water supplies to check both correct system function and for leaking from joints/connections.

- Complete wall finish.
- See over the page for aftercare instructions



Installing the rough-in for the valve. This is the most important part of the system. It is the brain that tells every function what to do and when to do it. This valve will be installed INSIDE the wall. The wall thickness must be at least 3- 1/2 inches in width. (standard wall size) Mount the valve in the wall noting the markings on the plastic protective piece surrounding the valve. This will actually tell you where in the wall (front to back) to install this valve. Secure with any scrap pieces of wood or brackets to keep it in position and from moving during construction. Make sure it is installed so the hot emblem marked as H is on the left and the cold emblem C is on the right. You would be amazed how many people do this incorrectly.

Installing the rough-in for the components. Decide how you want the functions to operate. I will describe this in more detail below. This is my recommendation. Connect the domestic hot water to the left side of the valve-marked H. Connect the domestic cold water to the right side of the valve-marked C. Install the water supply from the bottom of the valve (marked #1) to the location where you want the wall outlet to be installed. This wall outlet is the termination from the wall that supplies the water to the personal handshower. I like to install mine approximately 12-16 inches directly below the valve. This will allow you to install the wall bar on either side of the valve. Install the water supply from the top of the valve (marked #2) to the location of the showerhead. This is usually located directly above the valve at any height that is suitable for your needs. The national average is approx. 6 foot 6 inches from the floor to the shower head termination. Install the water supply from the left ve position located above the hot side. This will supply water to the body sprays. locate them anywhere you want. A general rule of thumb is to have the sprays hit you at the thigh area, mid section of your body, and chest area. Everyone is different in height so plan this accordingly. The body sprays do have rotation to allow for better positioning once in use. Installing The Trim (after wall surround is installed) The trim is all the fancy decorative parts that you obtained by making the purchase of this shower system. See parts schedule listed at the beginning of this guide. The trim can easily be installed by simply following the detailed instructions that are inserted into every box you receive. I still recommend having a licensed plumber complete this trim installation.

The functions of this system can operate differently. As I mentioned above, I am writing this guide the way I like to install this particular system. It can be done in different ways to allow different options and functions. If you are not stuck with exactly how I have written here today. This guide is written this way only to give you an idea of what this system can do for you.

Turn the lever indicator to the number 1 that is nicely labeled on the trim plate #06637000. The personal handshower should come on. This will be on all by itself. Now turn the indicator to the number 2. The showerhead will now come on. This will be on all by itself. Now for the fun part. As you turn the lever between number 1 and number 2 you will start to obtain a multi-function between the showerhead and the body sprays. Meaning, the showerhead and body sprays will run water at the same time. This is a nice feature to get water from overhead and water from the 3 body sprays all at the same time. FULL BLAST. Next, move the indicator to the number 3 position. This will turn off the showerhead and only the 3 body sprays will be working.

Note... only functions number 2 and 3 can be utilized for the multi-function to work at once. This is why it is important to decide the way you want this system to operated during installation of the rough-in. The temperature is adjusted by turning the center handle and is equipped with an anti-scald feature as well as a limit stop. This protects you from getting burned during temperature fluctuations. This is a code in most districts.

This General diagram and installation instructions are not intended for any specific model, but is presented as a general guideline for Installations!