

Triple Handle Bathtub Faucet With Hand-Held Shower



INSTALLATION

Before you begin, read the installation instructions below. Observe all local building and safety codes.

Unpack and inspect for any shipping damages. If you find any damages, do not install. Contact Customer Service. If you need assistance while installing your shower system, call our Customer Service number.

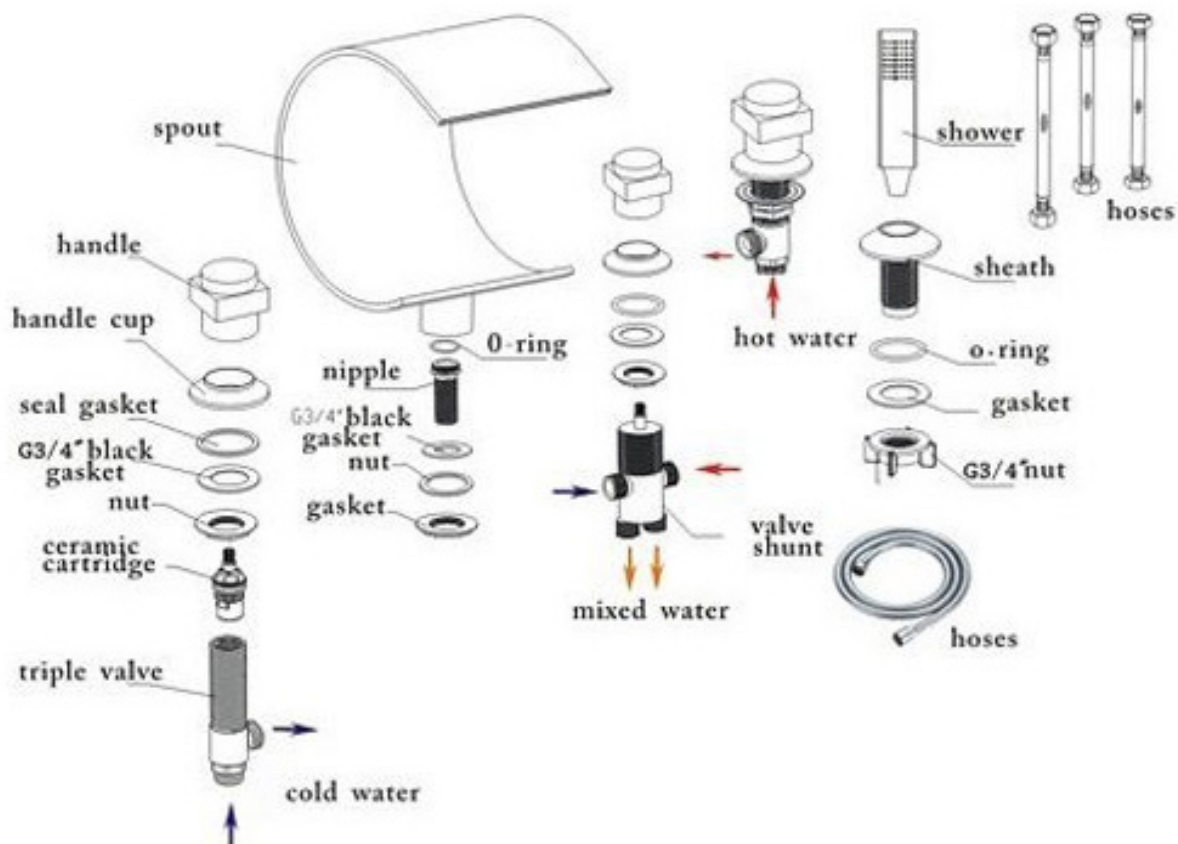
We recommend consulting a professional if you are unfamiliar with installing bathroom fixtures and plumbing.

TOOLS AND MATERIALS:

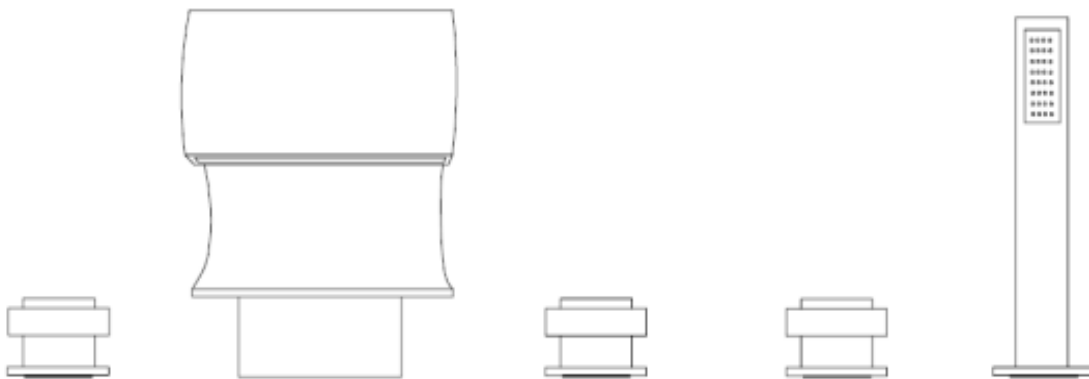
- Screwdriver
- Teflon Tape
- Adjustable Wrench
- Smooth Joint Pliers
- Soft Cloth
- Silicone Sealant

BATH FAUCETS INSTALLATION

INSTALL BATH FAUCETS ACCORDING TO THE FOLLOWING GRAPHIC. WE ADVISE TO ASK SKILLED WORKER FOR HELP



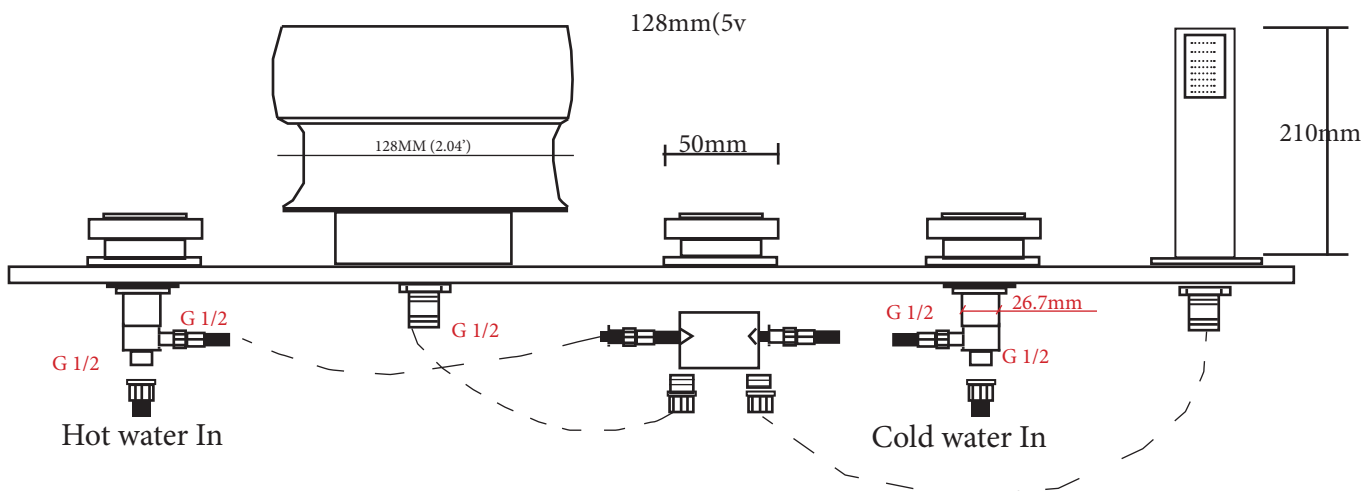
- Install the rough-in valve body behind the finished wall. Attach the valve body to wood blocking between two wall studs with wood screws. Be sure that the rough-in valve is completely level, and connect to the main water supply.
-
- When the wall around the rough-in valve is finished, install your faucet trim.
- If your faucet spout is not assembled, assemble by connecting the threaded outlet to the faucet body. If your spout is already assembled move on to the next step.
- If your faucet features a decorative face plate, secure the face plate to the wall with silicone sealant before installing your handle and spout trim pieces. Make sure that the face plate is properly aligned over the rough-in valve and perfectly straight. If your faucet does not feature a face plate move on to the next step.
- If the decorative spout escutcheon is not attached, place the escutcheon on the body of the spout and install the spout over the spout shank. Screw the spout into place and press the escutcheon firmly against the finished wall.
- Tighten any set screws in the spout with the Allen wrench.
- Install the handle(s) and any necessary hardware and tighten the set screws with your Allen wrench. If rubber O-rings or sealing gaskets are included, Place between the handle body and wall to create a water tight seal.
- When your faucet installation is complete, turn on the water supply. Check to make sure that all connections are tight (no water should be leaking) and that the hot and cold supplies are working correctly. Turn the water on and allow the water to flow through the spout for approximately 60 seconds. Allow sealant to cure for 24 hours before use.

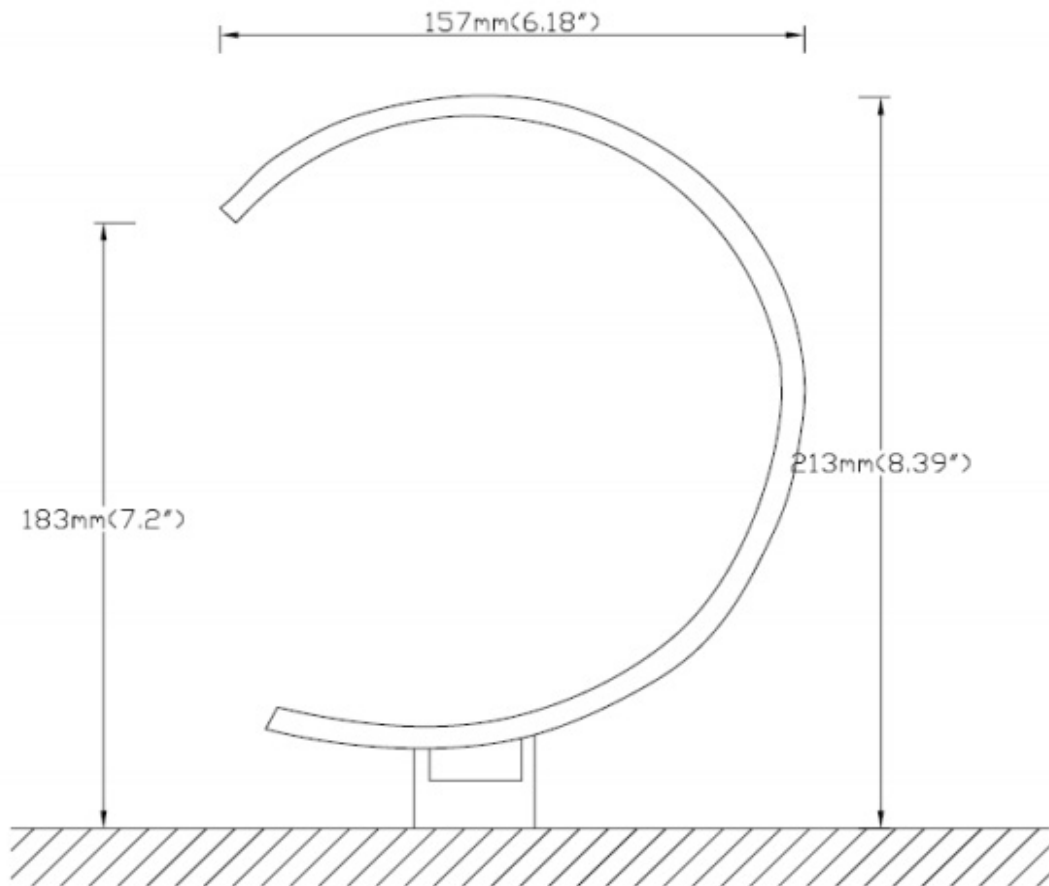


SPECIFICATION

| | |
|--------------------------|------------------------------|
| Function | Bathtub Faucets |
| Feature | Waterfall |
| Style | Contemporary |
| Finish | Chrome |
| Installation Holes | Five Holes |
| Number of Handles | Three knobs |
| Faucet Total Height | 213mm [8.39 Inch] |
| Spout Spread | 157mm [6.18 Inch] |
| Spout Width | 128mm [5.04 Inch] |
| Spout Height | 183mm [7.20 Inch] |
| Max desk mount thickness | 22mm [0.87 Inch] |
| Valve Type | Ceramic Valve |
| Faucet Body Material | Brass |
| Faucet Spout Material | Stainless steel |
| Sprayer Material | ABS plastic |
| Spout Net Weight | 1.38 KG |
| Gross Weight | 4.15 KG |
| Working water press | 0.2 ~0.8 Mpa |
| Packing box size | 305mm x 220mm x 150mm |

DIMMENSION





Side view of spout

| MODEL: S2049CW | | | |
|----------------|-------------------------|-----|--|
| Item | Name | QTY | |
| A | Faucet spout | 1 | |
| B | Thread tube | 1 | |
| C | Nut for thread tube "B" | 1 | |
| D | Rubber gasket | 1 | |
| E | Spout holder | 1 | |
| F | Knob | 3 | |
| G | Escutcheon | 3 | |
| H | Foam ring | 3 | |
| I | Rubber gasket | 3 | |
| J | Nut | 3 | |
| K | Inlet valve(cold) body | 1 | |
| L | Diverter body | 1 | |
| M | Inlet valve(hot) body | 1 | |
| N | Sprayer holder | 1 | |
| O | Rubber gasket | 2 | |
| P | Nut for sprayer holder | 1 | |
| R | G1/2" Hose(400mm) | 1 | |
| T | Hose for sprayer(1.5m) | 1 | |
| Q | Handheld sprayer | 1 | |
| S | G1/2" Hose(200mm) | 2 | |

This general Diagram and installation are not intended for any specific model, but is presented as a general guideline for installations!.