

10" Oil Rubbed Bronze Square Color Changing LED Rainfall Shower Head



INSTALLATION INSTRUCTIONS

INSTALLATION INSTRUCTIONS

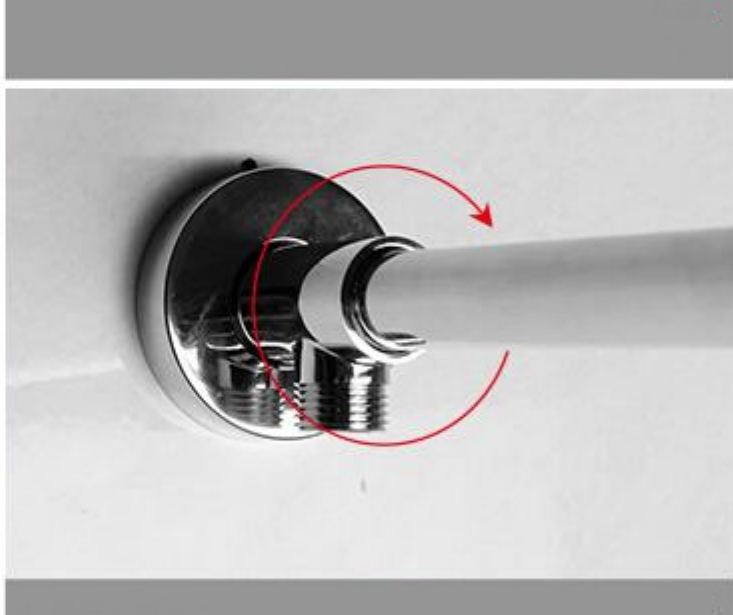
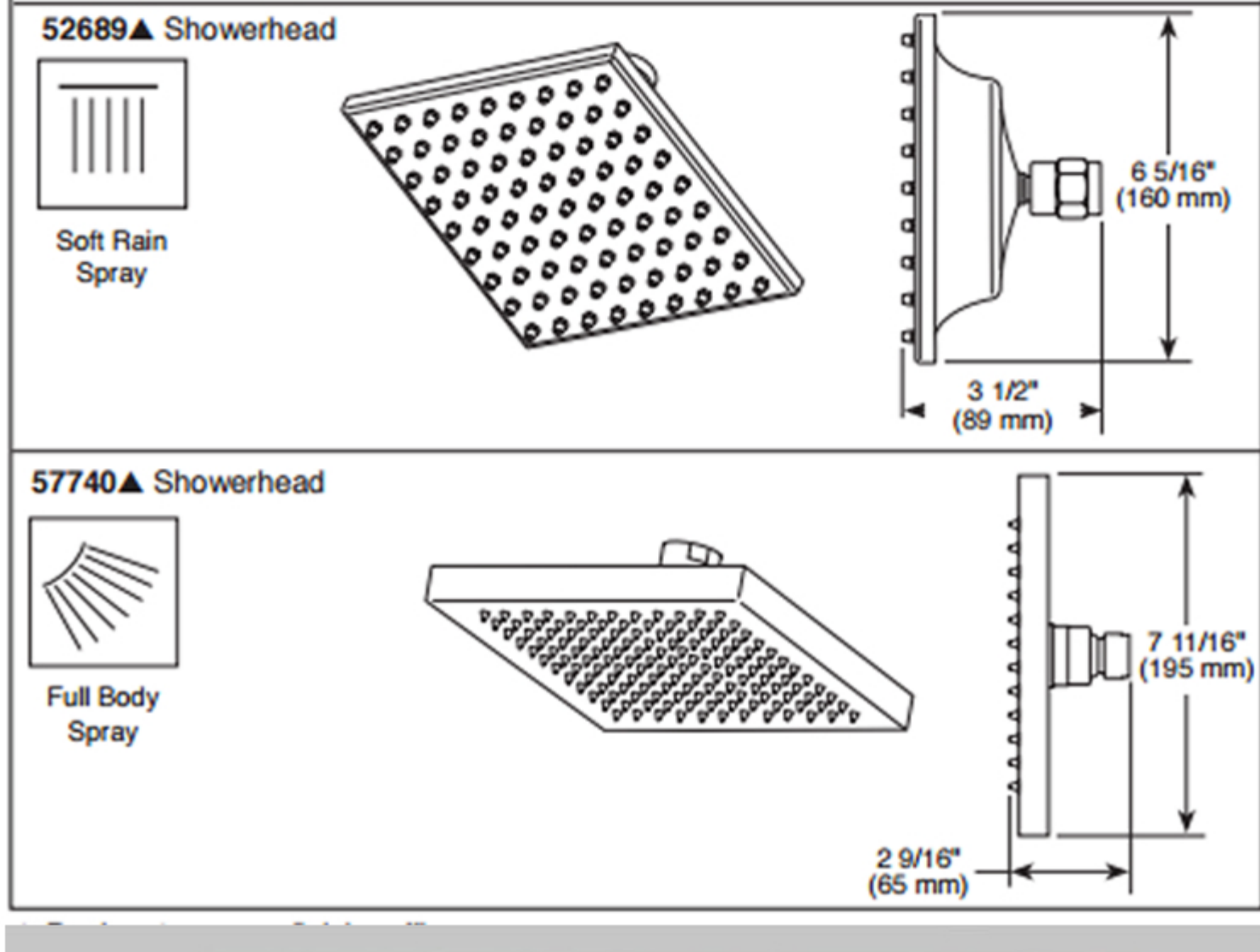
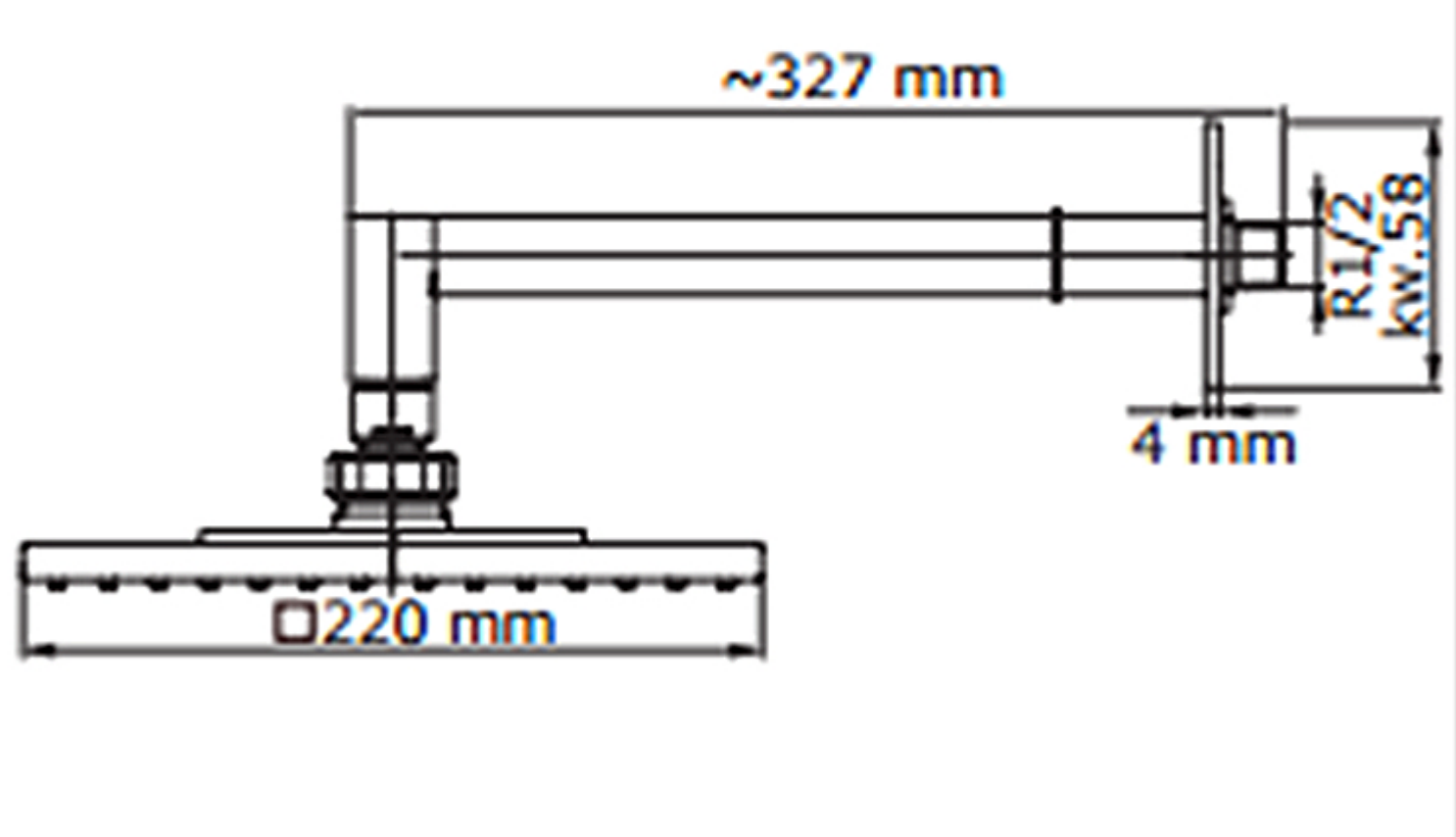
- Before you begin, read the installation instructions below. Observe all local building and safety codes.
- Unpack and inspect the product for any shipping damages. If you find damages, do not install. If you need assistance or have questions while installing your shower set, contact Customer Service.
- We recommend consulting a professional if you are unfamiliar with installing bathroom fixtures, and plumbing.

TOOLS AND MATERIALS:

- Screwdriver
- Teflon Tape

These instructions are meant as a general guideline. Always check the package for instructions for your particular product.

- 1 Remove your existing shower head
- 2 Clean the shower arm supply pipe threads
- 3 If a gasket is not included, wrap the shower arm supply pipe threads with Teflon Tape
- 4 Screw new shower head onto the shower arm supply pipe threads clockwise and hand tighten



This General diagram and installation instructions are not intended for any specific model, but is presented as a general guideline for Installations!