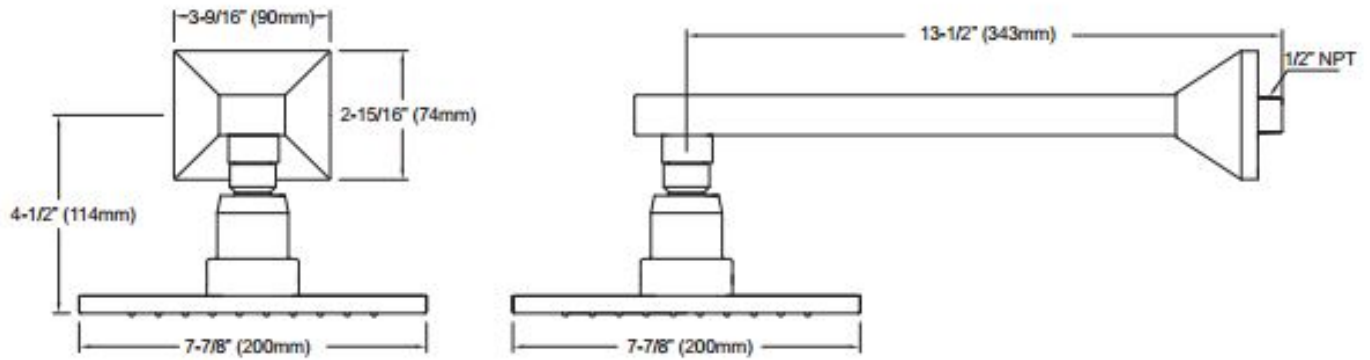


# Fontana Sita Platinum LED Shower Head Set with Diverter, Mixer and LED Spout

## INSTALLATION INSTRUCTIONS



## COMMON TOOLS NEEDED



Screwdriver



Pipe Tape



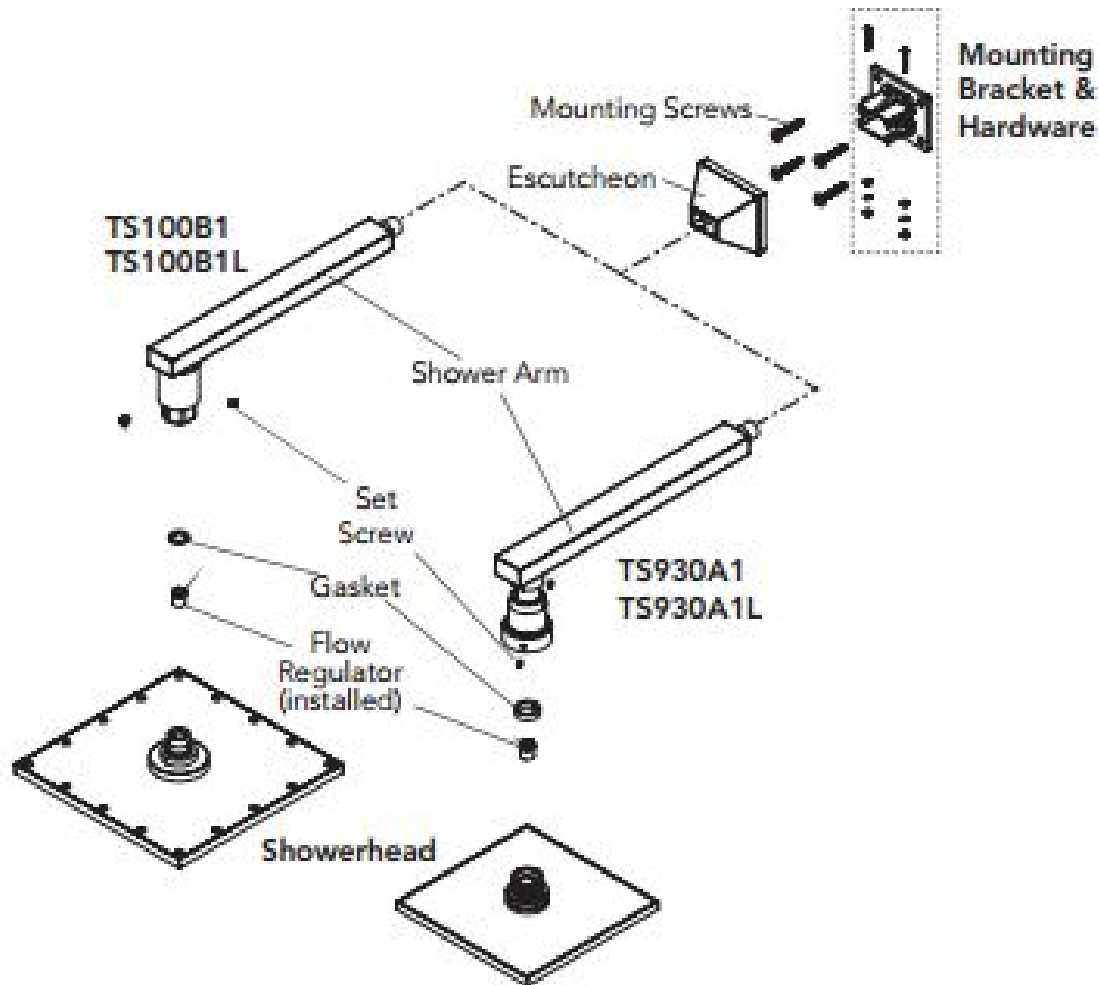
Adjustable  
Wrench



Strap  
Wrench

## BEFORE INSTALLATION

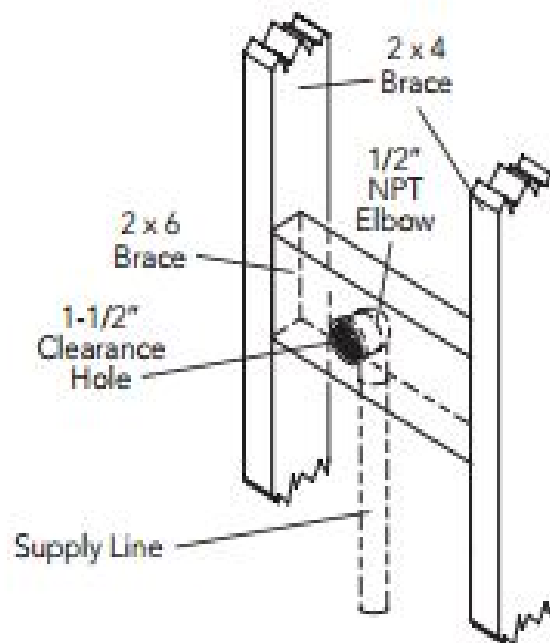
- Observe all local plumbing codes.
- Make sure water supply is shut off.
- Read these instructions carefully to ensure proper installation.
- TOTO® reserves the right to update product design without notice.
- Check to make sure you have the following parts indicated below:



## INSTALLATION PROCEDURE

**NOTE:** The product is heavy. Use the recommended mounting support as shown to support the shower prior to installation.

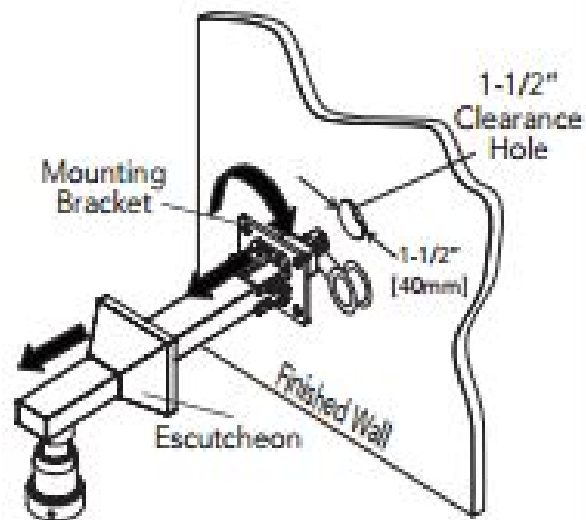
- 1) Thoroughly clean and remove any debris from the water supply pipe before installation to prevent clogging the spray outlet.



- 2) Complete the finished wall with a 1-1/2" clearance hole.

Slide the escutcheon and mounting bracket onto the shower arm as shown.

Apply an adequate amount of pipe tape on the threads and thread the shower arm into the supply elbow.



3) Slide the mounting bracket back against the wall and tighten with pan head screws and washers.

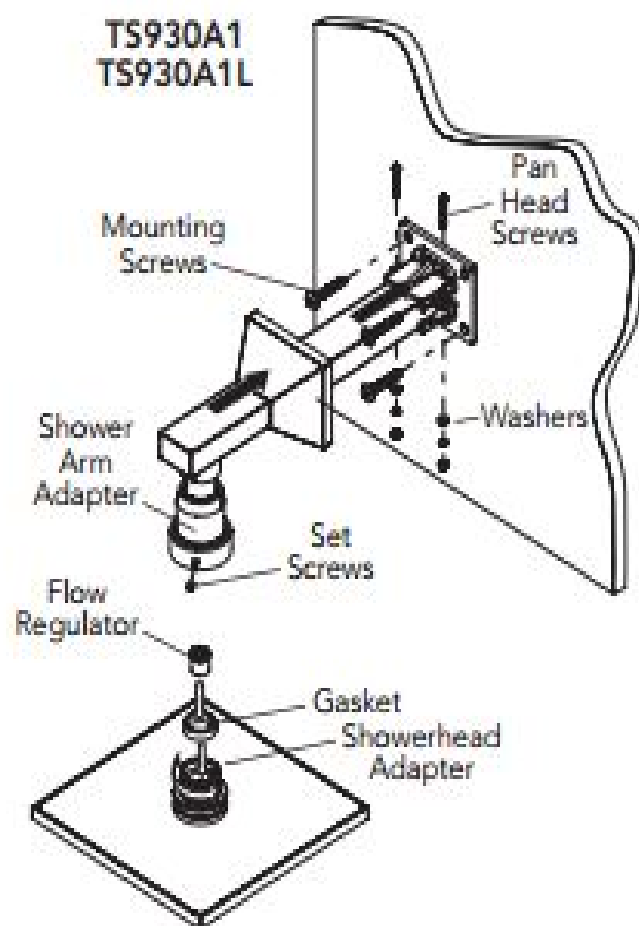
Secure the mounting bracket onto the wall with mounting screws. Slide the escutcheon toward the wall over the mounting bracket.

**FOR TS930A1/TS930A1L ONLY:**

Make sure that the flow regulator and gasket are both properly installed in the showerhead adapter.

Thread the showerhead adapter into the shower arm adapter until it is tight.

Adjust the showerhead so that the TOTO® logo is parallel to the wall (slightly loosen the showerhead if necessary), then tighten with set screws.



## Installation Procedure (continued)

- 4) Slide the mounting bracket back against the wall and tighten with pan head screws and washers.

Secure the mounting bracket onto the wall with mounting screws.

Slide the escutcheon toward the wall over the mounting bracket.

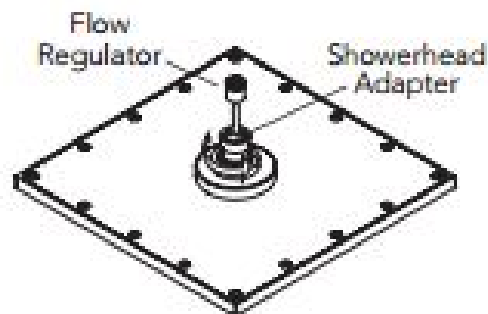
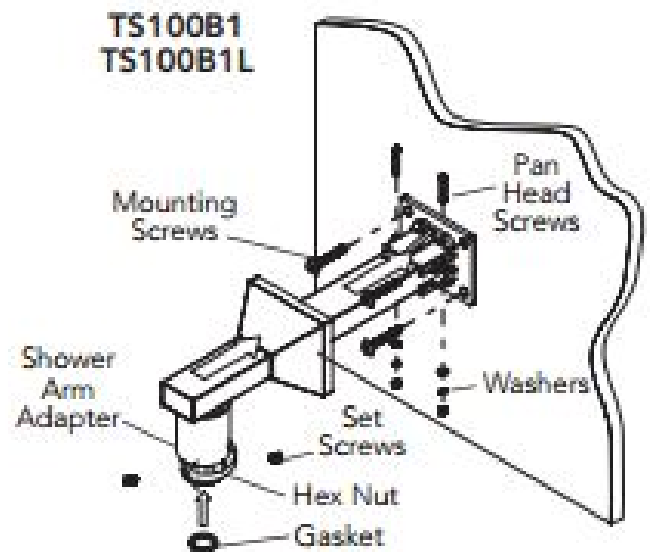
**FOR TS100B1/TS100B1L ONLY:**  
Slide the shower arm adapter upward so that the hex nut is accessible.

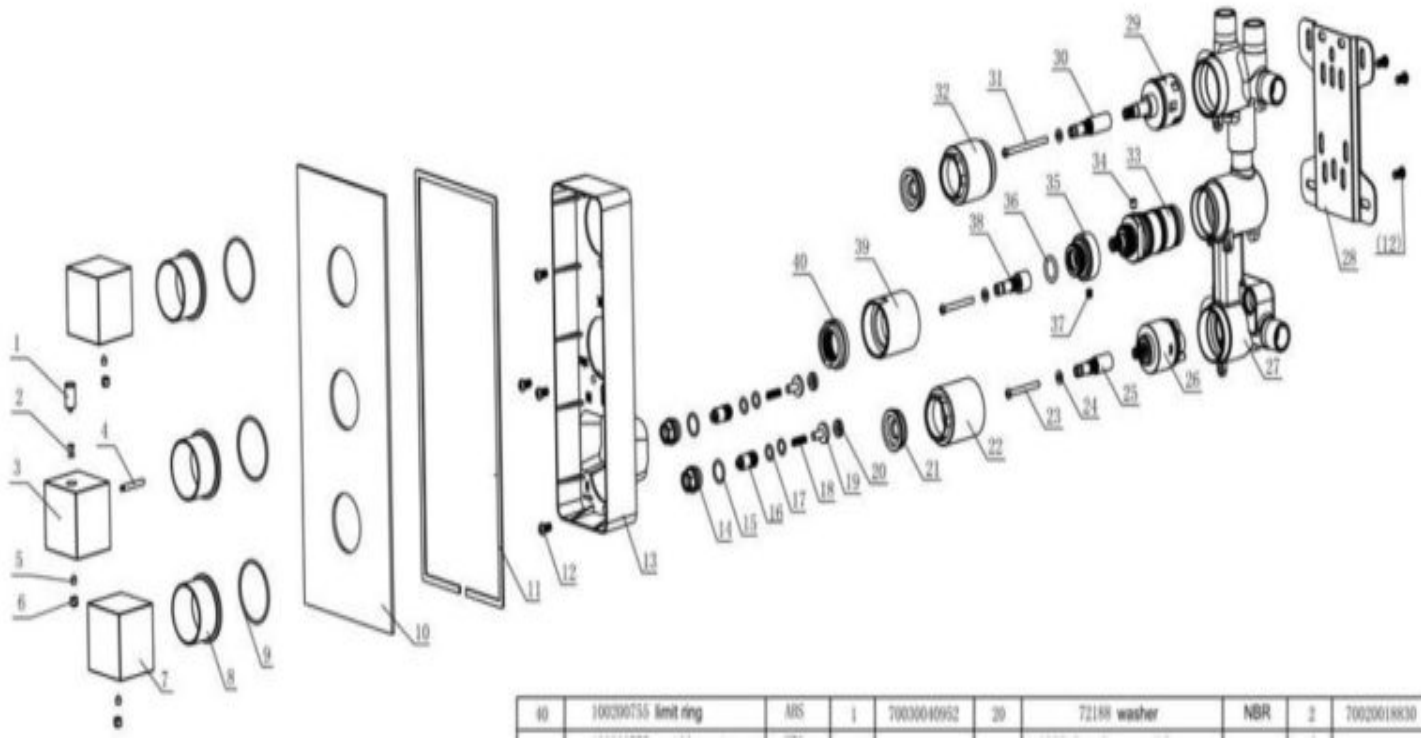
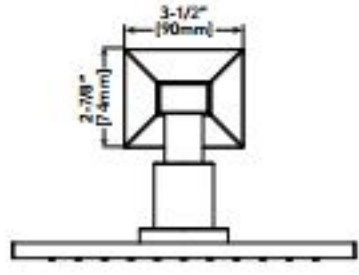
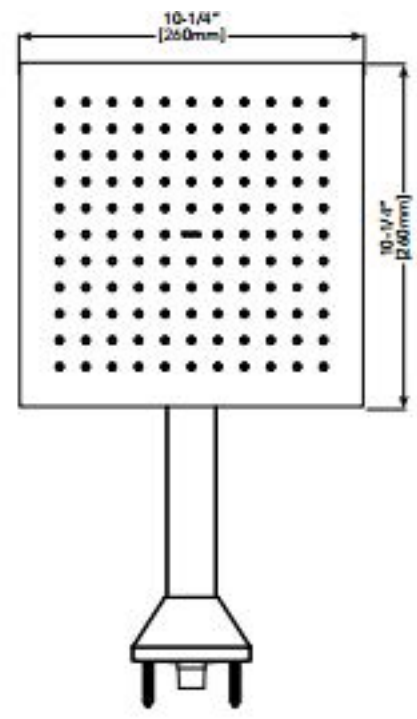
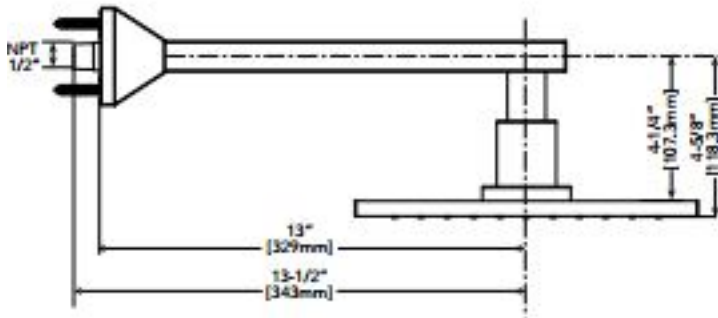
Make sure that the flow regulator is properly installed into the showerhead adapter and that the gasket is inside the hex nut.

Thread the showerhead adapter into the hex nut until tight.

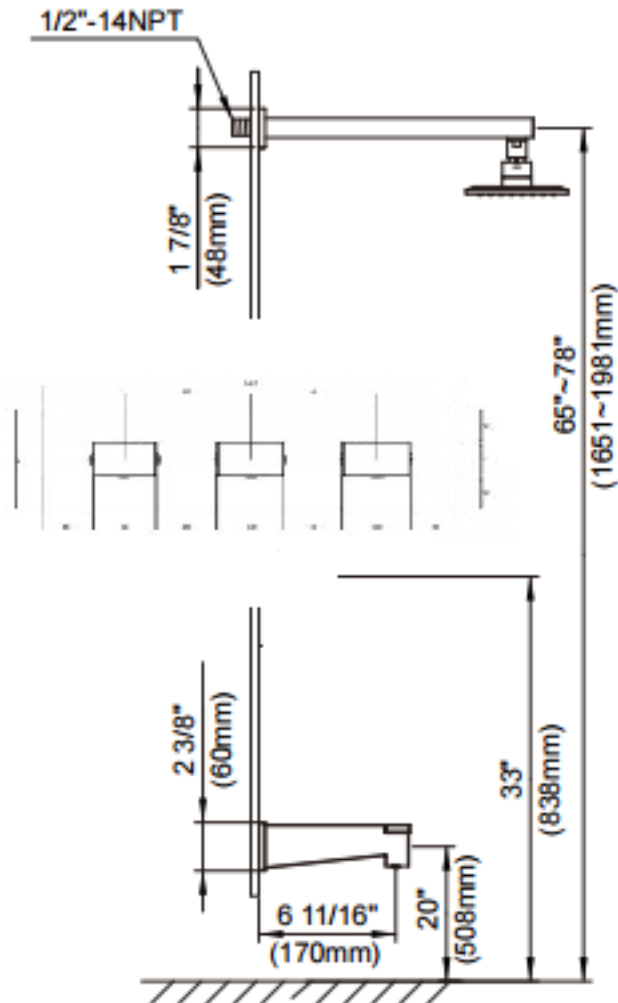
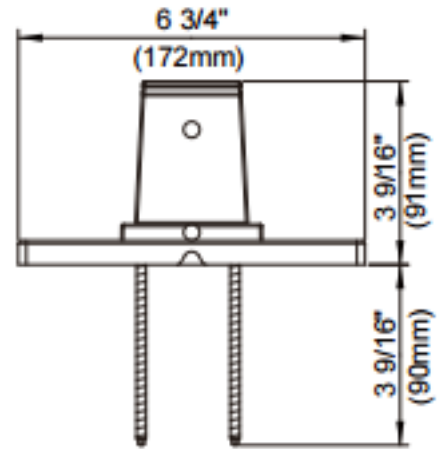
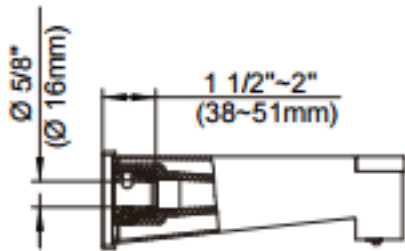
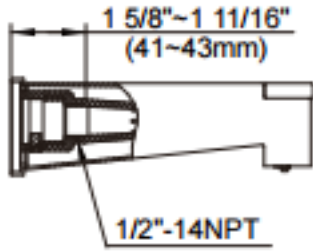
Adjust the showerhead so that the TOTO® logo is parallel to the wall (slightly loosen the showerhead if necessary), then tighten with set screws.

Slide the shower arm adapter over the hex nut and thread it onto the showerhead adapter.





40	100390755 limit ring	NRS	1	70030040952	20	72149 washer	NBR	2	70020018830
----	----------------------	-----	---	-------------	----	--------------	-----	---	-------------



This general Diagram and installation are not intended for any specific model, but is presented as a general guideline for installations!.