

10" Wall Mount Waterfall Color Changing Brass Led Shower Head



INSTALLATION INSTRUCTIONS

- Before you begin, read the installation instructions below. Observe all local building and safety codes.
- Unpack and inspect the product for any shipping damages. If you find damages, do not install. If you need assistance or have questions while installing your shower set, contact Customer Service.
- We recommend consulting a professional if you are unfamiliar with installing bathroom fixtures, and plumbing.

TOOLS AND MATERIALS:

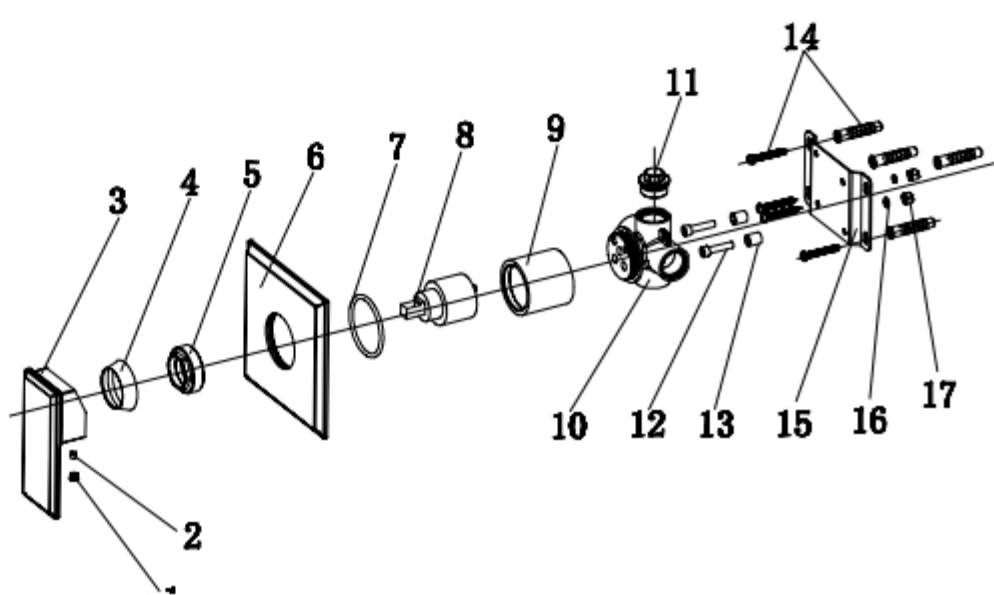
- Screwdriver
- Teflon Tape

These instructions are meant as a general guideline. Always check the package for instructions for your particular product.

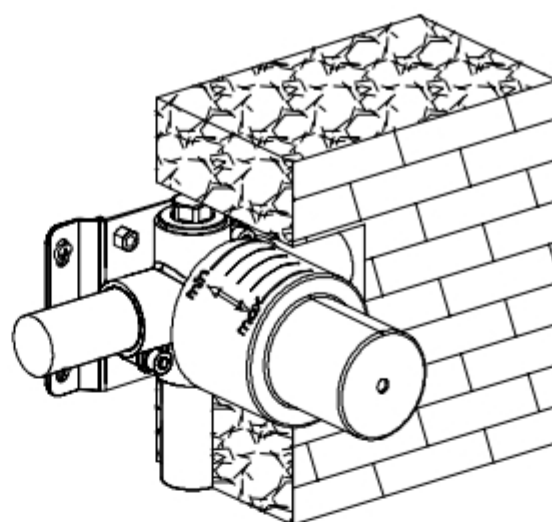
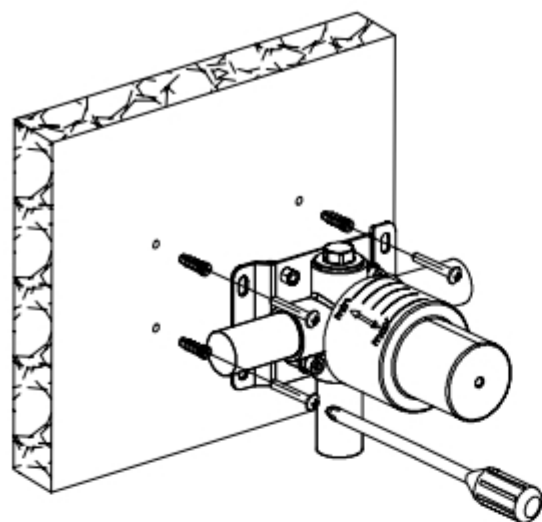
- 1 Remove your existing shower head
- 2 Clean the shower arm supply pipe threads
- 3 If a gasket is not included, wrap the shower arm supply pipe threads with Teflon Tape
- 4 Screw new shower head onto the shower arm supply pipe threads clockwise and hand tighten

VALVE EXPLODED VIEW:

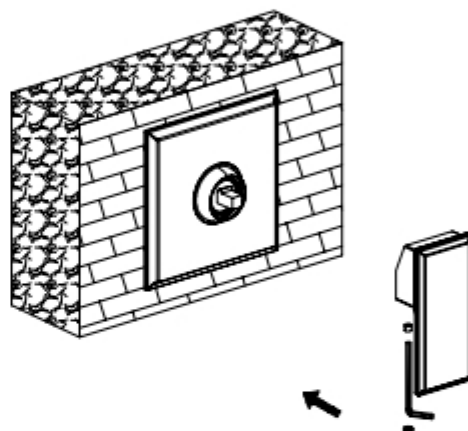
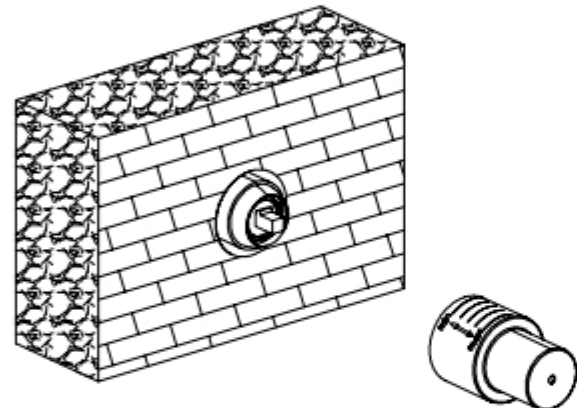
1	SD10101000200
2	M0105004
3	SD15617000100
4	SD10117000400
5	SD10117000500
6	SD15619000300
7	OXQ50030
8	FX0402
9	SD10117000600
10	SD10119000800-1
11	SD10119000700-1
12	M0305022
13	SD10119000900
14	M0805032
15	SD10119001000
16	SD10119001100
17	M110405



INSTALLATION:



1. Install the valve body. Wrap the threaded portion of the joints in Teflon tape and connect the water inlet and outlet.
2. Put the protective cover on the valve body and finish the shower wall.



3. When the finished wall is complete, remove the protective cover.
4. Install the escutcheon, and handle. Tighten the set screw with an Allen wrench to secure.
5. Attach the shower arm escutcheon to the shower arm. Wrap the threaded portions of the shower arm with Teflon tape and connect the arm to the shower inlet. Adjust the direction of the water flow as needed. Attach the rainfall shower head to the shower arm.

Step By Step Installation Instructions



This General diagram and installation instructions are not intended for any specific model, but is presented as a general guideline for Installations!