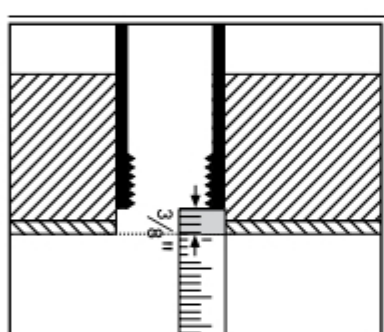
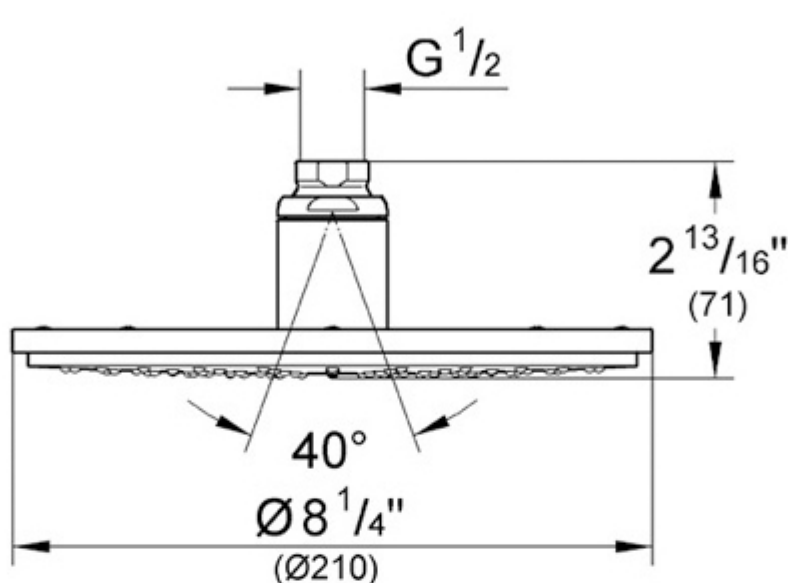


200*400mm Stainless Steel Rectangle Brushed LED Rainfall Shower Head

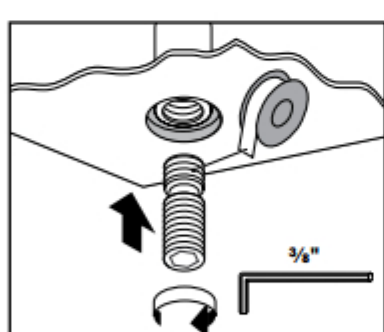


INSTALLATION INSTRUCTIONS



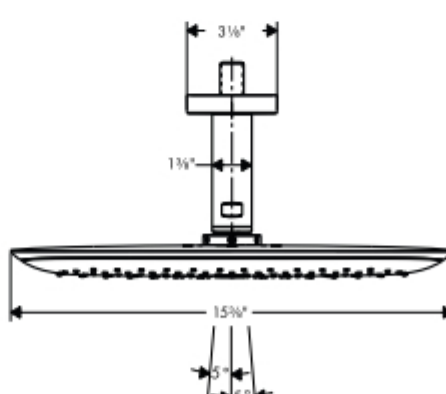
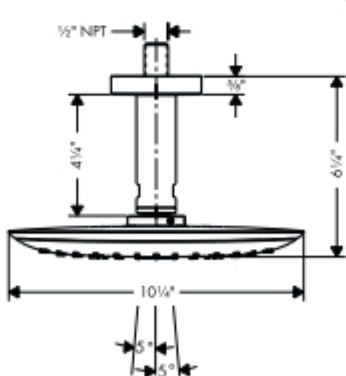
27390XX1 Installation

Rough-in: install a 1/2" NPT female fitting, recessed 3/8" inside the surface of the finished ceiling.



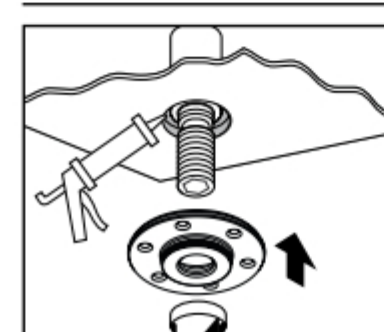
Wrap the threads on 1/2" NPT part of the nipple with Teflon tape.

Install the mounting nipple using a 3/8" Allen wrench (not included).

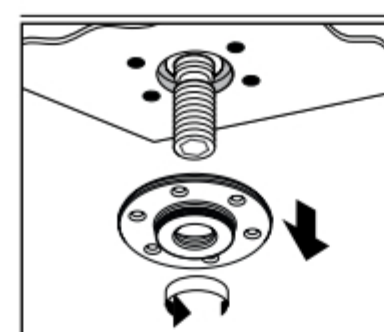
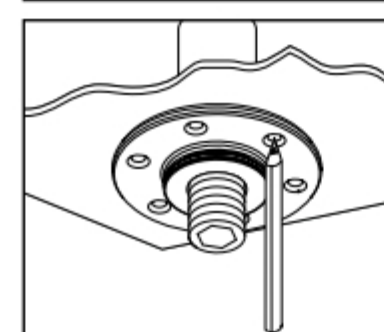


Seal the ceiling around the nipple using waterproof sealant.

Install the mounting ring.



Mark the positions of four screw holes.

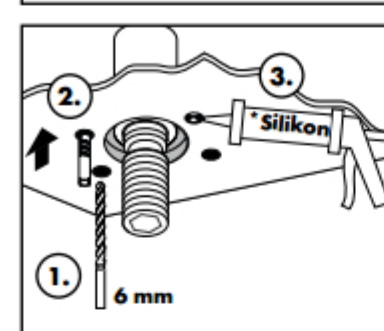


Remove the mounting ring.

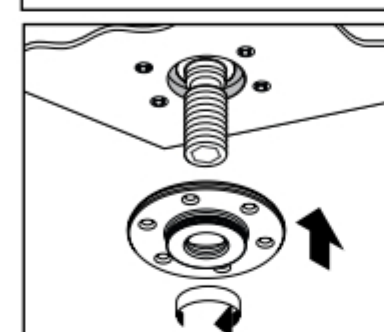
Drill the screw holes using a 6 mm bit (1).

Install the anchors (2).

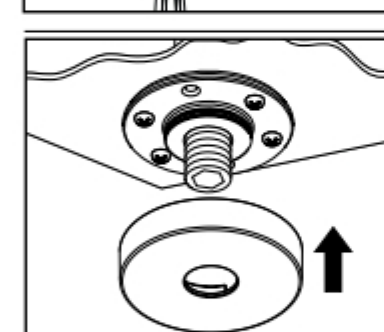
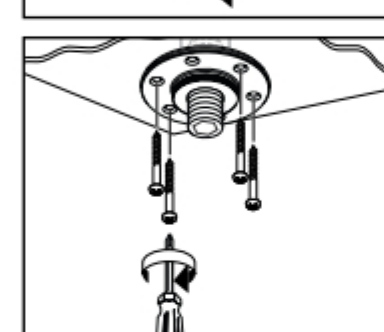
Seal the ceiling around the anchors using waterproof sealant (3).



Install the mounting ring.



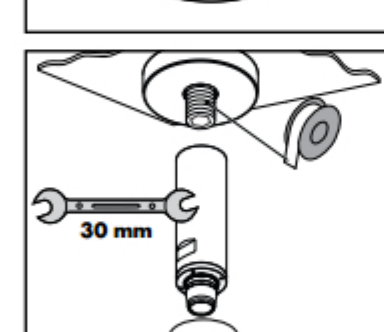
Install the screws.



Install the escutcheon.

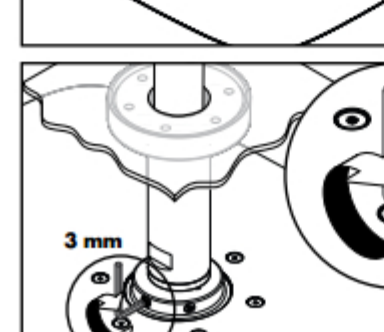
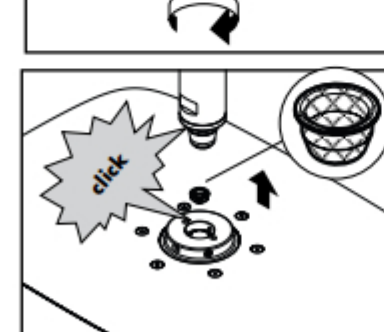
Wrap the threads on the nipple using Teflon tape.

Install the extension pipe.



Make sure that the filter is installed in the showerhead.

Push the showerhead against the extension pipe until it clicks.



⚠ Tighten the safety screw using a 3 mm Allen wrench.

! Failure to tighten the safety screw may result in injury or product damage.