

Deck Mount Antique Brass Body Claw Foot Bathtub faucet with Hand Held Shower Head

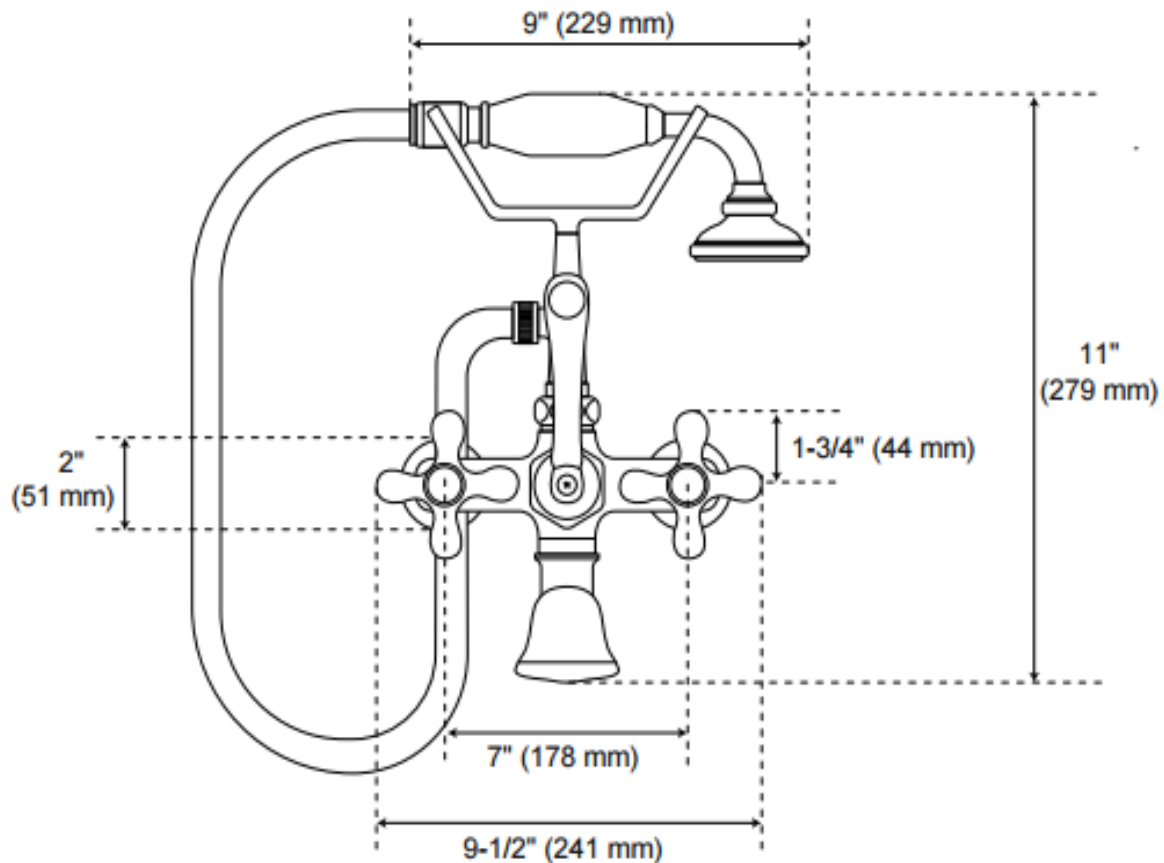


INSTALLATION INSTRUCTIONS

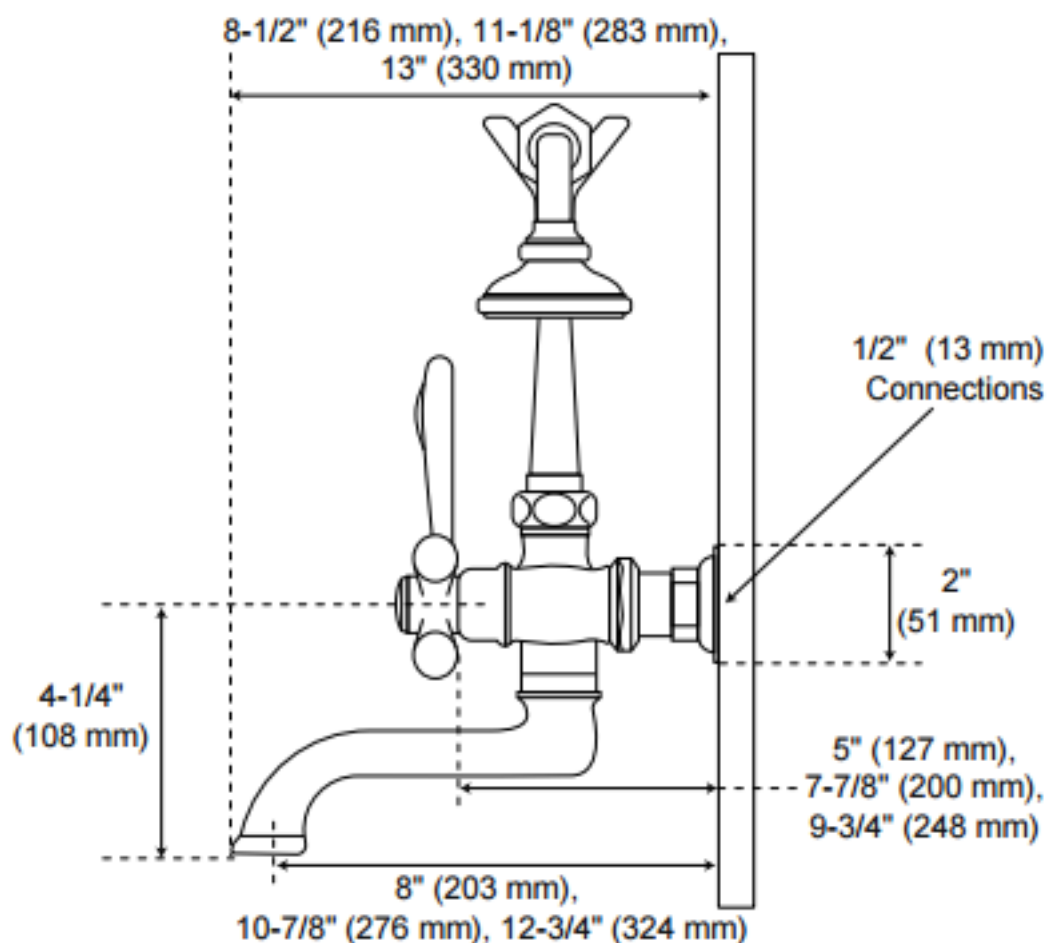
- Installation Type: Wall Mount
- Design: Traditional
- Faucet Center: 7"
- Handle Type: Cross
- Features: Hand Shower Included
- Length: 9-1/2"
- Height: 11"
- Height To Spout: 4-1/4"
- Spout Width: 2"
- Handle Material: Brass
- Hot and Cold Indicators: Yes
- Drain Included: No
- Base Plate Length: 2"
- Base Plate Width: 2"
- Ceramic Disc Cartridges: Yes
- Hand Shower Hose Length: 60"
- Hand Shower Style: Telephone
- 2" wall coupler shown in photography.
- Spout reach with 2" / 4" / 6" couplers: 7-1/2" / 9-1/2" / 11-1/2".

Wall-Mount Faucet and Hand Shower, Cross Handles

Front



Side



INSTALLATION GUIDE

- Before installing, read entire installation guide. Observe all local building and safety codes.
- Unpack and inspect for any shipping damages. If you find any damages, do not install. Contact Customer Service at 800-297-0232. If you need assistance while installing your shower system, call our Customer Service number.
- We recommend consulting a professional if you are unfamiliar with installing bathroom fixtures and plumbing.

TOOLS AND MATERIALS:

Allen Wrench (provided)

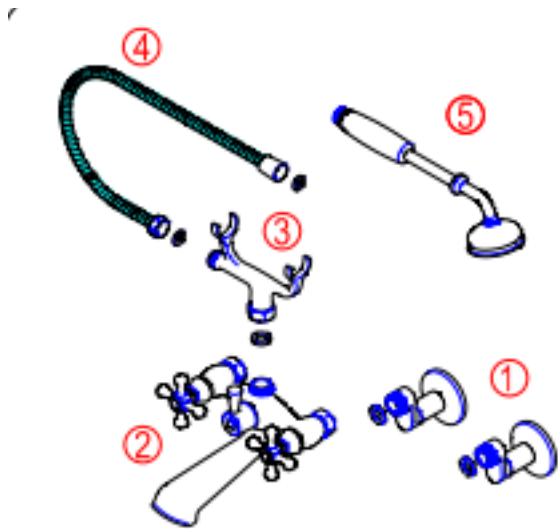
Level

Thread Sealant

Silicone Sealant

INSTALLATION

1. Remove the wall mount couplers from the faucet by unscrewing the large hex nuts behind the faucet handles.
2. Place thread sealant or plumber's tape on the ½" pipe nipples protruding from the wall.
3. Run a bead of silicone sealant along the base of the wall couplers.
4. Thread the wall couplers onto the ½" pipe nipples.
5. Make sure the bases of the couplers are firmly against the wall and that the couplers are aligned properly. Wipe away any excess sealant with a damp cloth.
6. Place the faucet body on the wall couplers. Hand tighten the coupling nuts to secure.
7. Install the hand shower and nozzle and any rubber sealing gaskets included.
8. When your faucet installation is complete, turn on the water supply. Check to make sure that all connections are tight (no water should be leaking) and that the hot and cold supplies are working correctly. Turn the water on and allow the water to flow through the spout for approximately 60 seconds. Allen Wrench (provided) Level Thread Sealant Silicone Sealant



PART LIST

1. Elbow
2. Faucet body
3. Shower cradle
4. Hose
5. Hand shower

Installation instructions

WARNING: Always turn off hot and cold water before starting.

Use Teflon or pipe compound on all water connections.

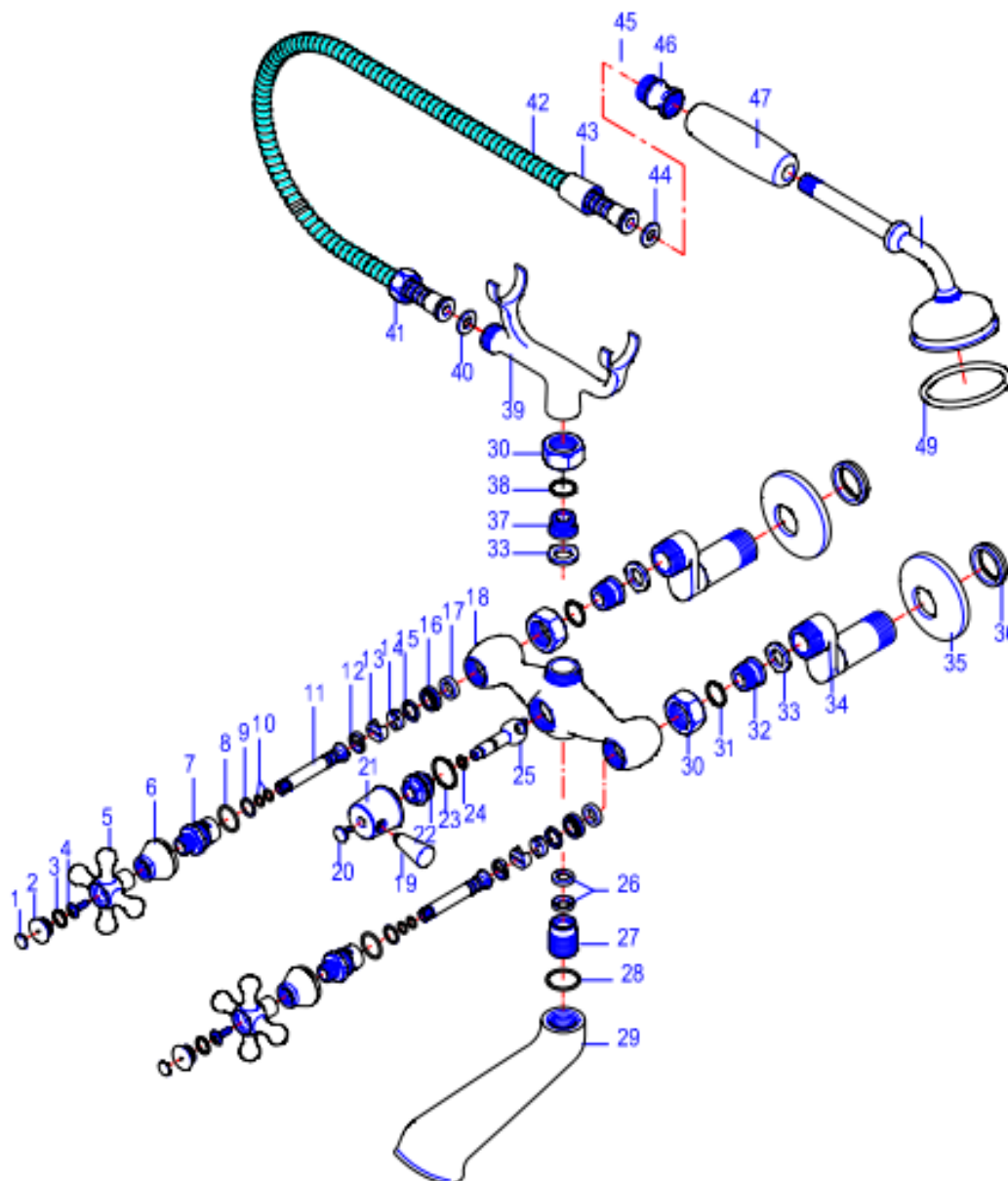
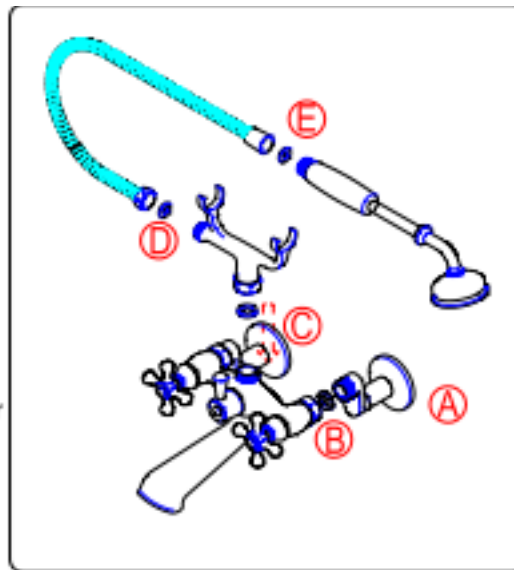
A. Place mounting legs on the tub, then tighten the lock nuts from underneath and connect the water supply lines. Place washers and then tighten the coupling nuts on to the mounting legs.

B. Use Teflon tapes on the threads of the mounting legs. Install the faucet body by connecting the end nuts of the water lines on the body to the mounting legs. Tighten the nuts.

C. Install the riser (holder) on to the top connector hole of the faucet body. Tighten the end of the riser.

D. Place a washer between the side hole of the riser and the cone nut of the shower hose and tighten the cone nut.

E. Place a washer between the handheld shower unit and the other end of the shower hose and then tighten the cone nut of the shower hose.



This general Diagram and installation are not intended for any specific model, but is presented as a general guideline for installations!.