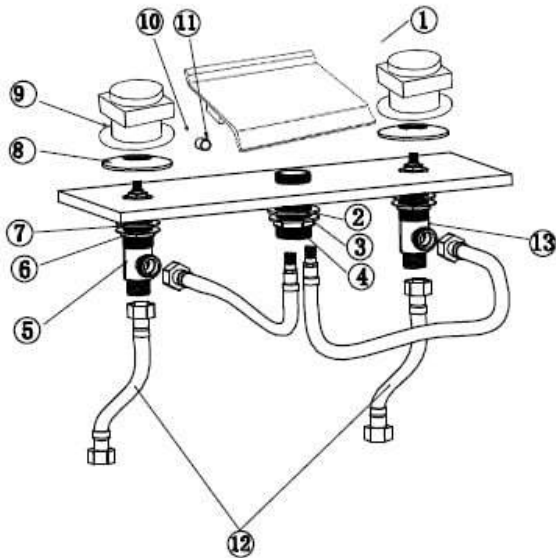


Installation steps:

1. Screw the thread pipe (6) with the faucet body (1) on the table through the O-ring (3) and decorative base (2), then screw nut (5) and washer (4) on thread pipe.
2. Put nut (8) and washer (9) on part (7), fixing the decorative cap (10) and handle (11) on the table, then use hex wrench (12) to screw the handle and then put the indication button (13) on.
3. Use the same way to assemble part (7),(15).
4. Connecting the flexible hoses (14) to the cold and hot water inlet part (7) and (15), the other end of the hoses connect to the cold and hot water supply system.
5. Connecting the other connection pipes according to the picture.



This General diagram and installation instructions are not intended for any specific model, but is presented as a general guideline for Installations!

Specifications

Name	Size	Quantity
Thread pipe	M32x1.5mm	1
Washer	Ø48.5xØ33x2mm	1
Nut		3
Decorative cap		1
O-ring	Ø46xØ3mm	1
Decorative base for handle		2
Handle		2
Wrench		1
Distributor		2
Washer	Ø15.5xØ8.5x2mm	2
G ₂ ¹ andG ₃ ³ connector		2
Connectors changed instruction		1
Installation instruction		1
G ₂ ¹ -G ₂ ¹ hose	500mm	2
M10x1—G ₂ ¹ hose	500mm	2

Maintenance

- Use clean water to wash the faucet, and use a soft cloth or leather to wipe it.
- Don't use acidic washing liquid or abrasive materials to wash the faucet.