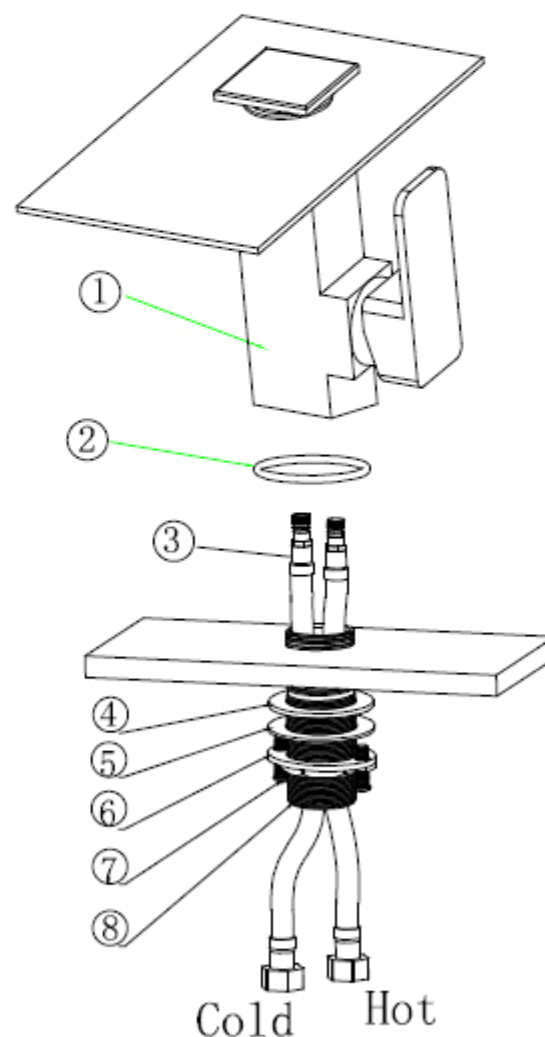


## Single lever Deck Mount hot and Cold Water Mixer Faucet

---

### Installation steps:

1. Screw the hoses(3) with the faucet body(1) through the thread pipe(8) and the O-ring(2) .
2. Screw the thread pipe(8) with the body(1)
3. Screw the nut(6) and washer(4)(5) on the thread pipe(8).
4. Screw the screw(7) with nut(6) to fix the faucet body(1).
5. Connecting the end of the hoses to the connector of the cold and hot water supply system.



This General diagram and installation instructions are not intended for any specific model, but is presented as a general guideline for Faucet Installations!